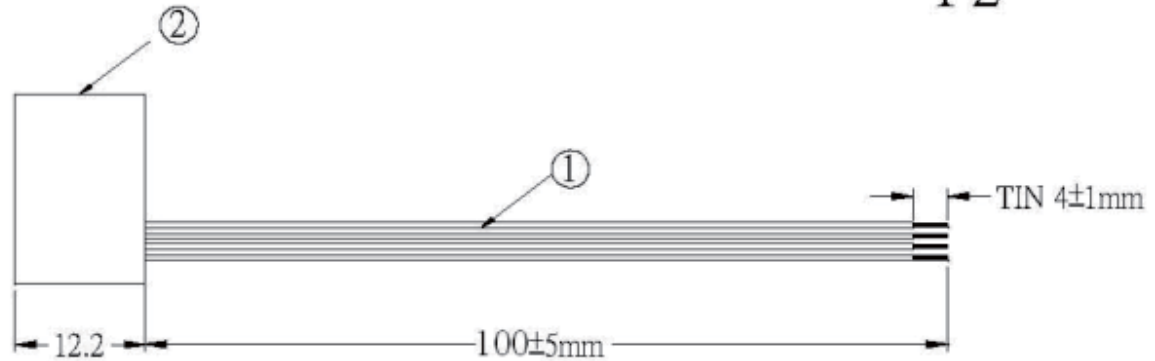
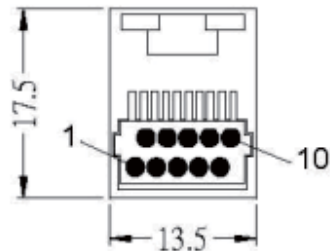
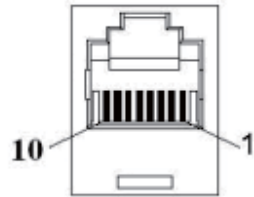


P1 647 JACK



WIRING:

P1	COLOR	P2
1	— WHITE —	TIN 4mm
2	— BLUE —	TIN 4mm
3	— ORANGE —	TIN 4mm
4	— BLACK —	TIN 4mm
5	— RED —	TIN 4mm
6	— GREEN —	TIN 4mm
7	— YELLOW —	TIN 4mm
8	— BROWN —	TIN 4mm
9	— GREY —	TIN 4mm
10	— PURPLE —	TIN 4mm

3	GOLD WIRE	GOLD WIRE, BRONZE, GOLD PLATED 3 u" 16/18MM	10PCS
2	647 JACK	MINI 647 10P10C JACK, COLOR: BLACK ABS 94V-2	各1PCS
1	WIRE	UL 1061 26AWG , COLOR:WH, BL, OR, BK, RD, GN, YL, BN ,GY. PR L:107mm	各1PCS
NO.	ITEM	DESCRIPTION	QTY

RoHS Compliant

TOLERANCES ARE

MORETHANALL
PCB CONNECTORS
Cable ASSEMBLIES

煜倫股份有限公司

www.morethanall.com

DRAWING BY CY

CHECKED BY GENIUS

UNIT / mm SCALE 1 : 1

DATE

SIZE A4

X, ±
.X ±
.XX ±
.XXX ±
ANG ±

P PROJECTION

照片框

ORDER INFORMATION

MJ647-101026-100-LF

SERIES | LEADFREE
100mm LONG
26 AWG
10P10C

DESCRIPTION: