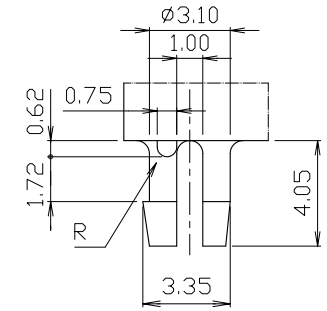
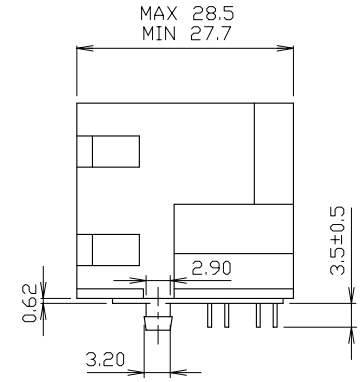
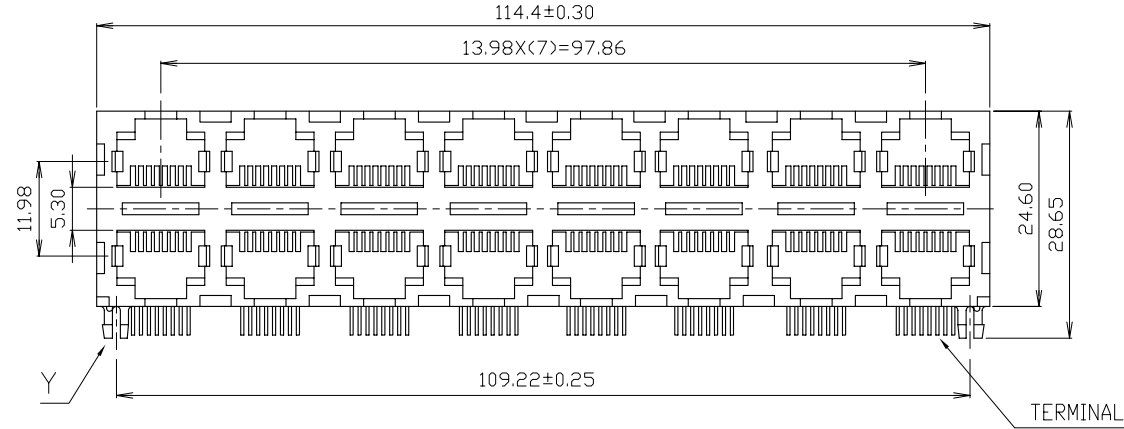


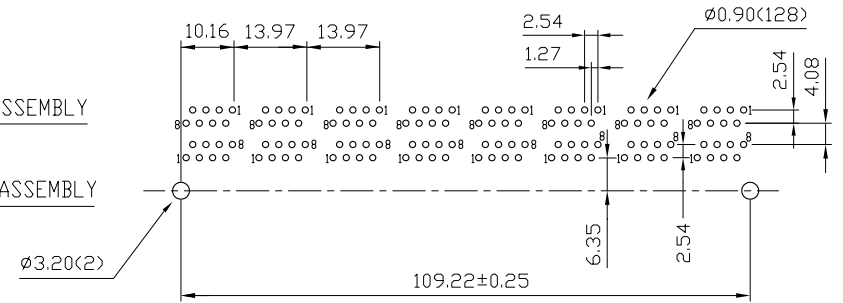
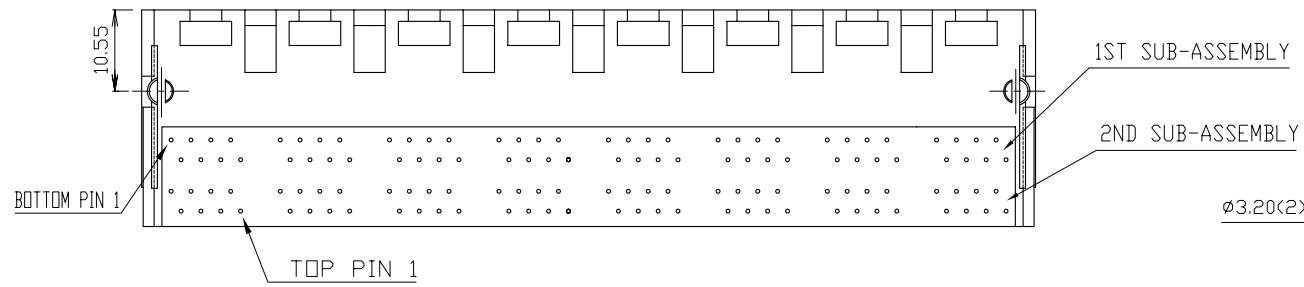
1 2 3 4 5 6 7 8 9 10

J  
I  
H  
G  
F  
E  
D  
C  
B  
A

MATERIAL:  
 • HOUSING-PBT POLYESTER UL-94V-0  
 MIXED GLASS FIBER,  
 STANDARD ODOR-BLACK  
 • CONTACTS-0.35mm THICK PHOS-BRONZE  
 PLATED WITH HARD GOLD AND  
 GOLD FLASH IN SOLDER AREA.  
 CAVITY CONFIRMS TO FCC RULES AND REGULATIONS  
 PART 68,SUBPART F.



DETAIL Y



PCB LAYOUT Ref.

MJ24B8-KX06-0808-LF  
 LEADFREE  
 RoHS Compliant



PART NO. MJ24B8-KX06-0808	CHECKED BY CY		TOLERANCES ARE		DESCRIPTION: 2X8 (16 PORTS) 8POSITIONS RIGHT ANGLE PCB JACK		
	DWG NO. MJ24B8-KX06-0808	DRAWING BY	.X ± 0.2 .XX ± .XXX ± AWG				
FILE NO.	UNIT / mm	SCALE 1:1	PROJECTION	AREA	REVISIONS	HK	DATE
煜倫股份有限公司							