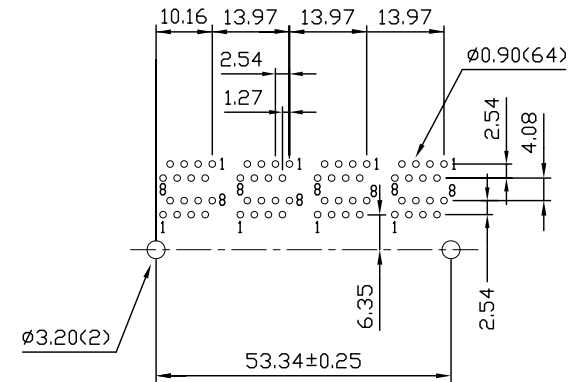
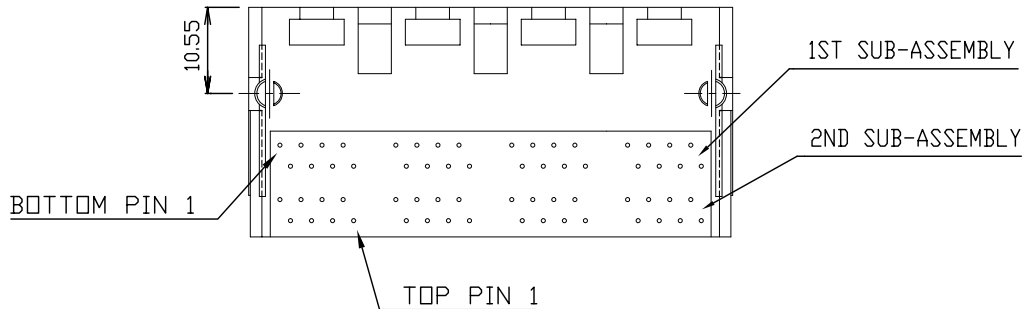


DETAIL Y

MATERIAL:
 ◦HOUSING-PBT POLYESTER UL-94V-0
 MIXED GLASS FIBER.
 STANDARD COLOR-BLACK
 ◦CONTACTS-0.35mm THICK PHOS-BRONZE
 PLATED WITH HARD GOLD AND
 GOLD FLASH IN SOLDER AREA.
 CAVITY CONFIRMS TO FCC RULES AND REGULATIONS
 PART 68,SUBPART F.



PCB LAYOUT
Ref.



RoHS Compliant

TOLERANCES ARE

MORETHANALL
PCB CONNECTORS
Cable ASSEMBLIES

DRAWING BY CY

X.±

CHECKED BY GENIUS

.X±

UNIT / mm

SCALE 1 : 1

.XX±

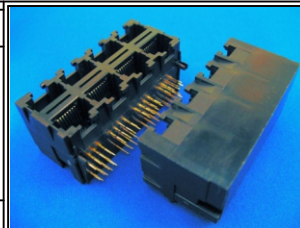
DATE

.XXX±

ANG±

SIZE A4

PJECTION



ORDER INFORMATION

MJ24B4-KX06-0808-LF

SERIES

LEADFREE

8P8C

06u" GOLD

NON EAR

BLACK

煜倫股份有限公司

www.morethanall.com

DESCRIPTION: 2X4 (8PORTS) 8POSITIONS RIGHT ANGLE PCB JACK