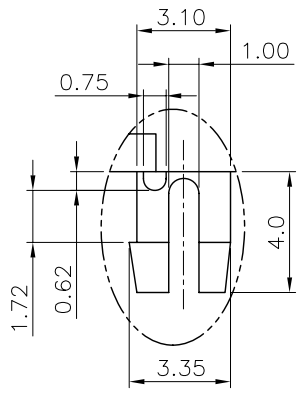
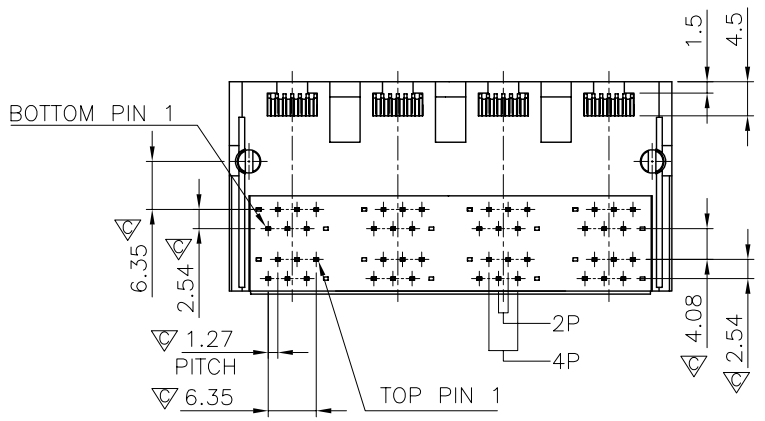
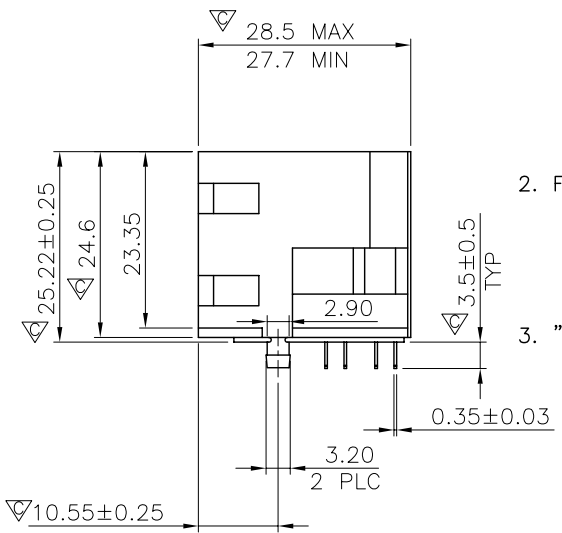
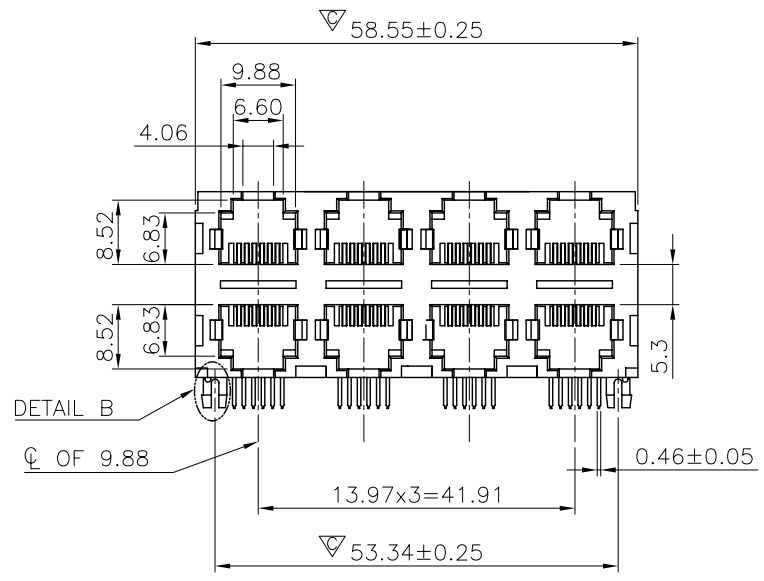
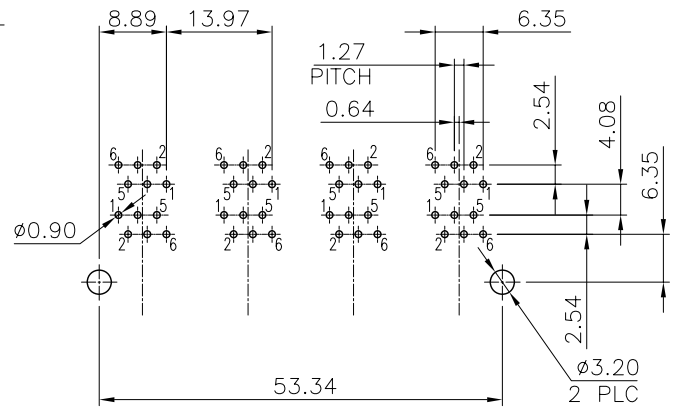


NOTE:
CAVITY CONFIRMS TO FCC RULES AND REGULATIONS PART 68, SUBPART F.

1. MATERIAL:
HOUSING: PBT, WITH GLASS FIBER,
UL 94V-0, STANDARD COLOR-BLACK.
INSERT HOUSING: PBT, WITH GLASS FIBER,
UL 94V-0, STANDARD COLOR-BLACK.
COVER: PBT, WITH GLASS FIBER,
UL 94V-0, STANDARD COLOR-BLACK.
CONTACTS: PHOSPHOR BRONZE.
2. FINISH:
CONTACTS: GOLD PLATED ON CONTACT AREA,
0.0254μm [1μ'] GOLD PLATED ON SOLDER TAIL,
WITH ENTIRE CONTACT UNDERPLATED
1.27μm [50μ'] MIN. NICKEL
3. "▽" SHOWS QIP INSPECTION POINT.



DETAIL B
SCALE 4:1



RECOMMENDED PCB LAYOUT
RECOMMENDED PCB THICKNESS: 1.6mm
TOLERANCE: ±0.05 (TOP VIEW)

MJ24B4-KX06-0606-LF
LEADFREE
RoHS Compliant

	PART NO. MJ24B4-KX06-0606		CHECKED BY CY	TOLERANCES ARE .X± .XX± .XXX± AWG	DESCRIP TION: 2X2 TO 2X8 (4PORTS TO 8PORTS), 6POSITION, RIGHT ANGLE PCB JACK
	DWG NO. MJ24B4-KX06-0606				
	FILE NO.		PROJECTION	AREA	REVISIONS
	UNIT / mm	SCALE 1:1			