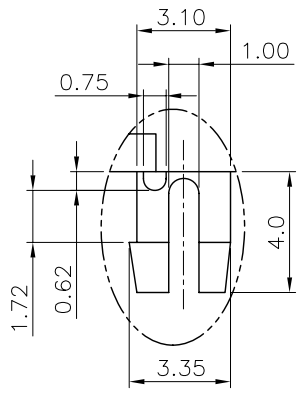
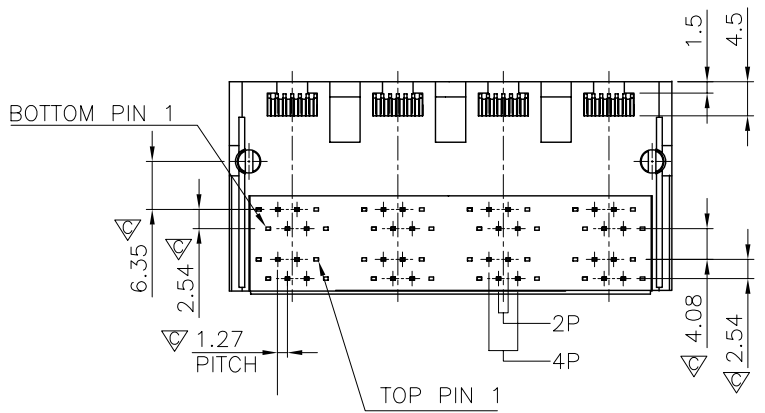
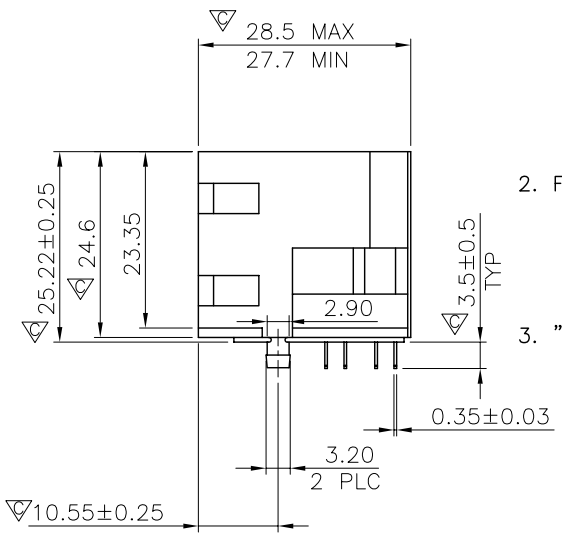
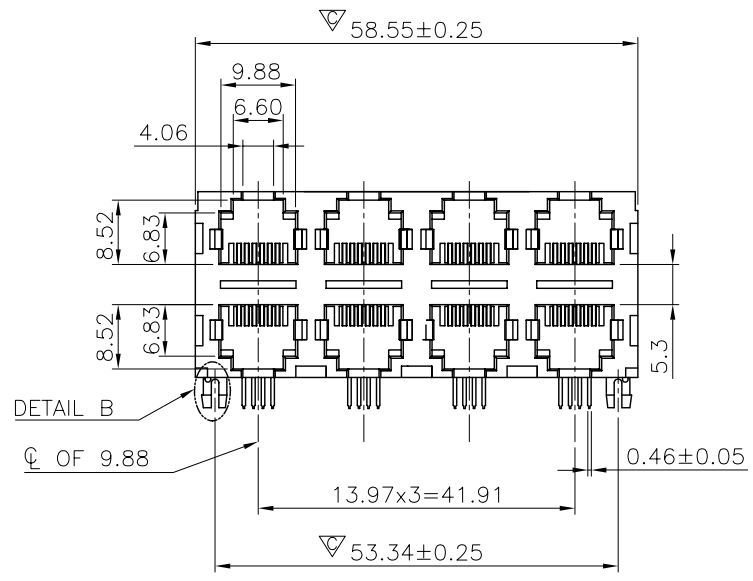
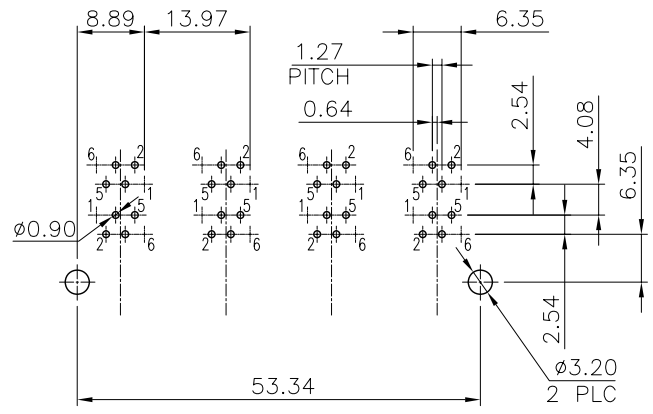


NOTE:  
CAVITY CONFIRMS TO FCC RULES AND REGULATIONS PART 68, SUBPART F.

1. MATERIAL:  
HOUSING: PBT, WITH GLASS FIBER,  
UL 94V-0, STANDARD COLOR-BLACK.  
INSERT HOUSING: PBT, WITH GLASS FIBER,  
UL 94V-0, STANDARD COLOR-BLACK.  
COVER: PBT, WITH GLASS FIBER,  
UL 94V-0, STANDARD COLOR-BLACK.  
CONTACTS: PHOSPHOR BRONZE.
2. FINISH:  
CONTACTS: GOLD PLATED ON CONTACT AREA,  
0.0254μm [1μ'] GOLD PLATED ON SOLDER TAIL,  
WITH ENTIRE CONTACT UNDERPLATED  
1.27μm [50μ'] MIN. NICKEL
3. "▽" SHOWS QIP INSPECTION POINT.



DETAIL B  
SCALE 4:1



RECOMMENDED PCB LAYOUT  
RECOMMENDED PCB THICKNESS: 1.6mm  
TOLERANCE: ±0.05 (TOP VIEW)

MJ24B4-KX06-0604-LF  
LEADFREE  
RoHS Compliant

	PART NO. MJ24B4-KX06-0604		CHECKED BY CY	TOLERANCES ARE .X± .XX± .XXX± AWG	DESCRIP TION: 2X2 TO 2X8 (4PORTS TO 8PORTS), 6POSITION, RIGHT ANGLE PCB JACK		
	DWG NO. MJ24B4-KX06-0604					DRAWING BY	
	FILE NO.		PROJECTION	AREA	REVISIONS	HK	DATE
	UNIT / mm	SCALE 1:1					