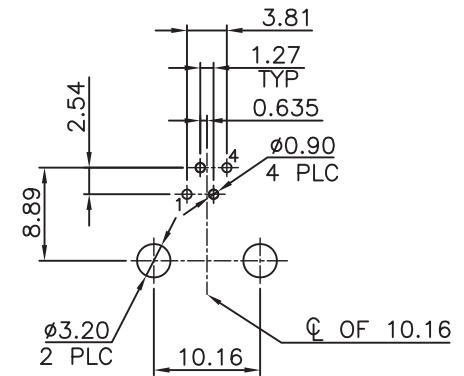
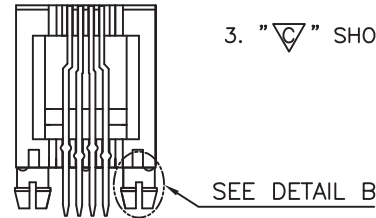


NOTE:

CAVITY CONFIRMS TO FCC RULES AND REGULATIONS PART 68, SUBPART F.

- MATERIAL:
HOUSING: PBT, WITH GLASS FIBER,
UL 94V-0, STANDARD COLOR-BLACK.
CONTACTS: PHOSPHOR BRONZE.
- FINISH:
CONTACTS: GOLD PLATED ON CONTACT AREA,
0.0254mm [1m"] GOLD PLATED ON SOLDER TAIL,
WITH ENTIRE CONTACT UNDERPLATED
1.27mm [50m"] MIN. NICKEL
- "▽" SHOWS QIP INSPECTION POINT.



RoHS Compliant

TOLERANCES ARE

MORETHANALL
PCB CONNECTORS
Cable ASSEMBLIES

煜倫股份有限公司

www.morethanall.com

DRAWING BY CY

CHECKED BY GENIUS

UNIT / mm SCALE 1 : 1

DATE

SIZE A4

X.±
.X±
.XX±
.XXX±
ANG±

P PROJECTION

照片框

ORDER INFORMATION

MJ16J-KX06-0604-LF

SERIES 6P4C LEADFREE
06u" GOLD
NON EAR
BLACK

DESCRIPTION: 6 POSITION, 90° (SPLIT PEGS), SIDE ENTRY PCB JACK