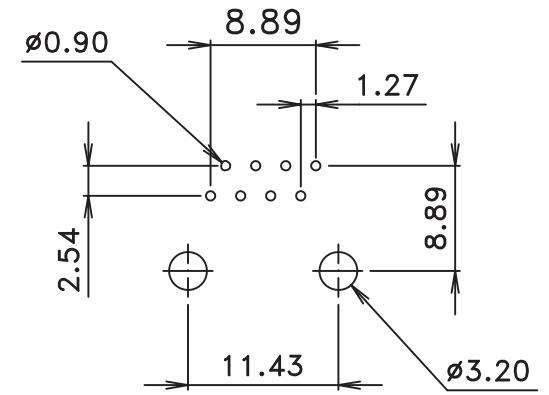
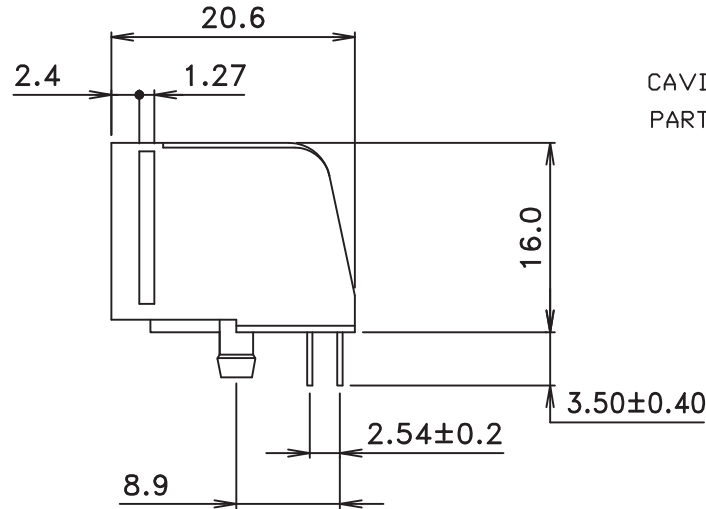
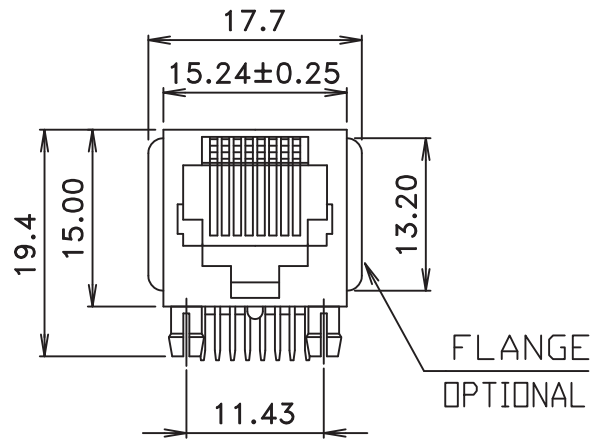


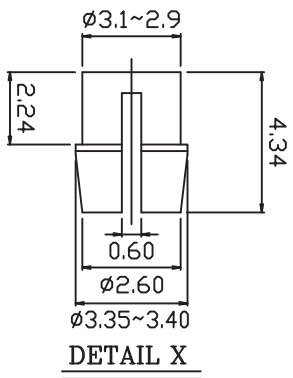
MATERIALS:

- HOUSING-PBT POLYESTER UL94V-0 MIXED GLASS FIBER. STANDARD COLOR-BLACK
- TERMINAL-0.35mm THICK PHOS-BRONZE PLATED WITH HARD GOLD AND TIN/LEAD IN SOLDER AREA.

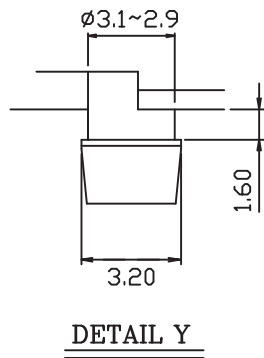
CAVITY CONFIRMS TO FCC RULES AND REGULATIONS PART 68,SUBPART F.



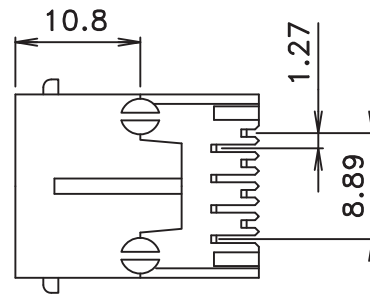
PC Board Layout



DETAIL X



DETAIL Y



RoHS Compliant

TOLERANCES ARE

**MORETHANALL**  
PCB CONNECTORS  
Cable ASSEMBLIES

煜倫股份有限公司

www.morethanall.com

DRAWING BY CY

CHECKED BY GENIUS

UNIT / mm SCALE 1 : 1

DATE

SIZE A4

X, ±  
.X ± 0.25  
.XX ± 0.13  
.XXX ± 0.05  
ANG ±

P PROJECTION

照片框

ORDER INFORMATION

MJ16J-KE06-0808-LF  
SERIES 8P8C LEADFREE  
06u" GOLD  
EAR BLACK

DESCRIPTION: 8POSITION 90° (SPLIT PEGS) SIDE ENTRY PCB JACK