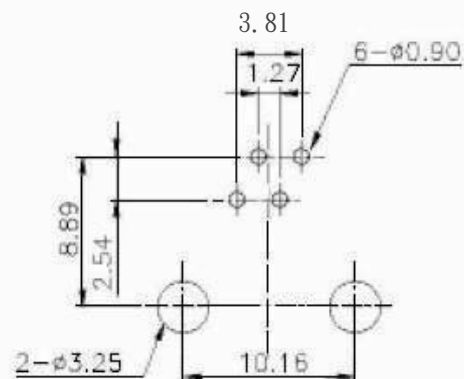
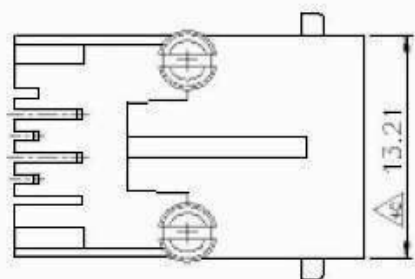


**MATERIALS:**  
**PLASTIC HOUSING:** ENGINEERING THERMOPLASTIC  
 FLAMMABILITY RATING UL 94V-0.  
**CONTACTS:** PHOSPHOR BRONZE  
**PLATING:** GOLD PLATING OVER NICKEL IN CONTACT.  
 TIN PLATING OVER NICKEL IN SOLDER AREA.

PCB LAYOUT/TOP VIEW



**RoHS Compliant**

TOLERANCES ARE

**MORETHANALL**  
 PCB CONNECTORS  
 Cable ASSEMBLIES

DRAWING BY CY

X.±

CHECKED BY GENIUS

.X±

UNIT / mm

SCALE 1:1

.XX±

DATE

.XXX±

ANG ± 1°

煜倫股份有限公司

www.morethanall.com

SIZE A4

PPOJECTION

照片框

**ORDER INFORMATION**

MJ16J-KE06-0604D-LF

SERIES

|

|

|

|

EAR

BLACK

|

|

|

|

06u" GOLD

D

TYPE

|

|

|

|

6P4C

LEADFREE

TYPE

DESCRIPTION: