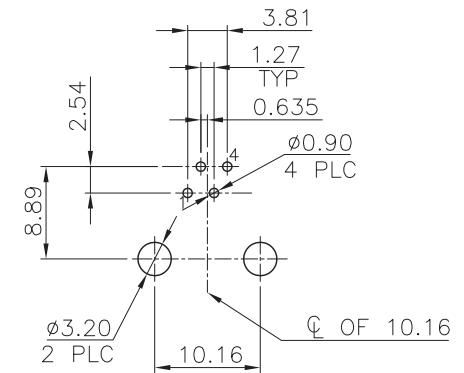
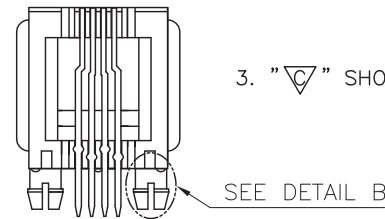


NOTE:

CAVITY CONFIRMS TO FCC RULES AND REGULATIONS PART 68, SUBPART F.

- MATERIAL:**
HOUSING: PBT OR PA46 OR PA9T, WITH GLASS FIBER, UL 94V-0, STANDARD COLOR-BLACK.
CONTACTS: PHOSPHOR BRONZE.
- FINISH:**
CONTACTS: GOLD PLATED ON CONTACT AREA, 0.0254µm [1µ"] GOLD PLATED ON SOLDER TAIL, WITH ENTIRE CONTACT UNDERPLATED 1.27µm [50µ"] MIN. NICKEL
- "▽" SHOWS QIP INSPECTION POINT.



RECOMMENDED PCB LAYOUT
RECOMMENDED PCB THICKNESS: 1.6mm
TOLERANCE: ±0.05 (TOP VIEW)

DETAIL B
SCALE 2:1

RoHS Compliant

TOLERANCES ARE

MORETHANALL
PCB CONNECTORS
Cable ASSEMBLIES

煜倫股份有限公司

www.morethanall.com

DRAWING BY CY

CHECKED BY GENIUS

UNIT / mm SCALE 1:1

DATE

SIZE A4

X.±
.X±
.XX±
.XXX±
ANG±

PJECTION

照片框

ORDER INFORMATION

MJ16J-KE06-0604-LF

SERIES 6P4C LEADFREE
06u" GOLD
EAR BLACK

DESCRIPTION: 6POSITION, 90° (SPLIT PEGS), SIDE ENTRY PCB JACK