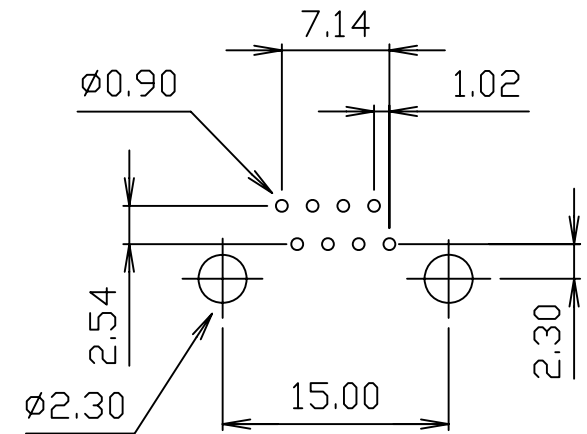
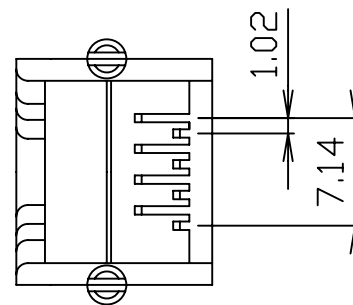
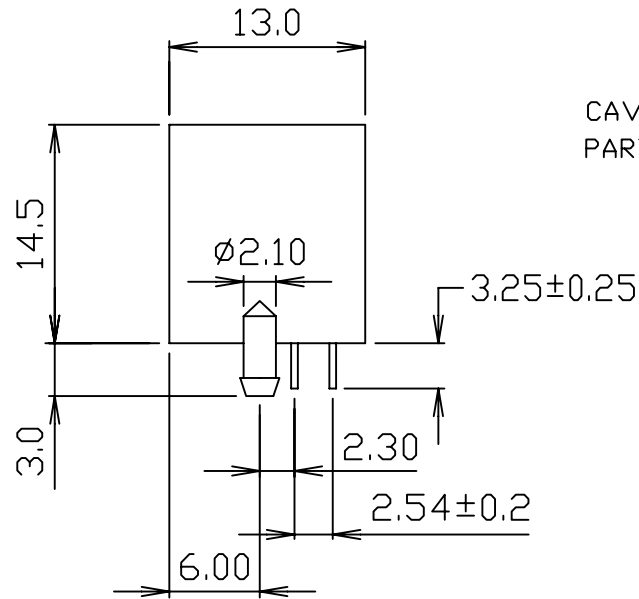
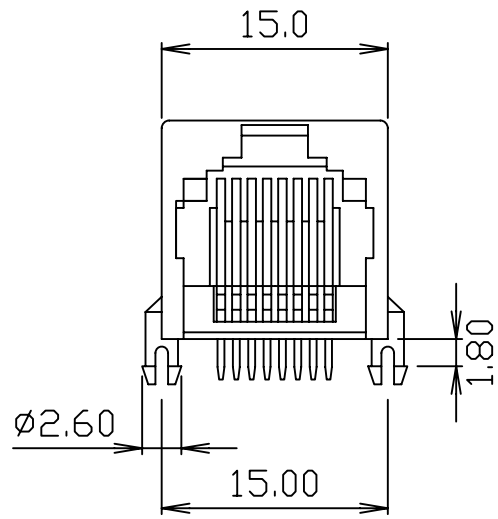


MATERIAL: HOUSING-PBT POLYESTER PHOS-BRONZE
 MIXED GLASS FIBER
 STANDARD COLOR-BLACK.
 CONTACTS-0.45mm DIAMETER PHOS-BRONZE
 PLATED WITH HARD GOLD.
 CAVITY CONFIRMS TO FCC RULES AND REGULATIONS
 PART68,SUBPART F.

MJ14S-KX06-0808-LF
 LEADFREE
 RoHS Compliant



PC Board Layout



PART NO. MJ14S-KX06-0808

DWG NO. MJ14S-KX06-0808

FILE NO.

UNIT / mm

SCALE 1:1

CHECKED BY CY

DRAWING BY

PROJECTION

TOLERANCES ARE

.X±0.2
 .XX±
 .XXX±
 AWG

DESCRIPTION:

8POSITION SHIELDLESS FLANGELESS
 MINI LOW PROFILE, SIDE ENTRY PCB JACK

AREA

REVISIONS

HK

DATE

煜倫股份有限公司