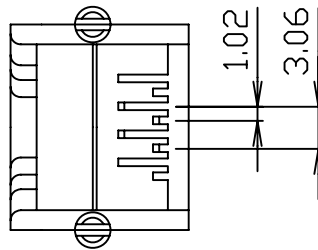
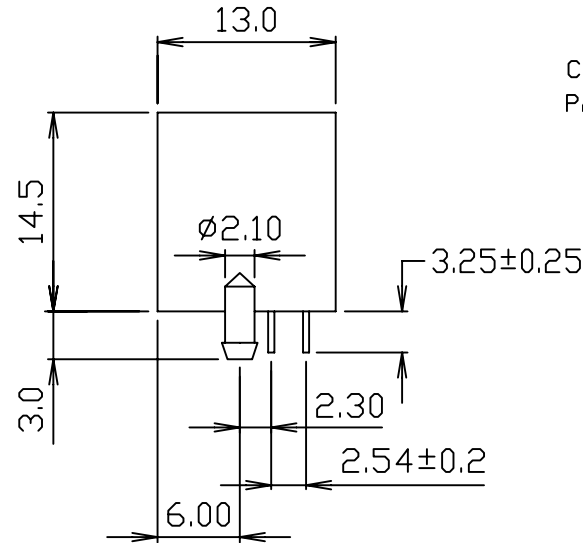
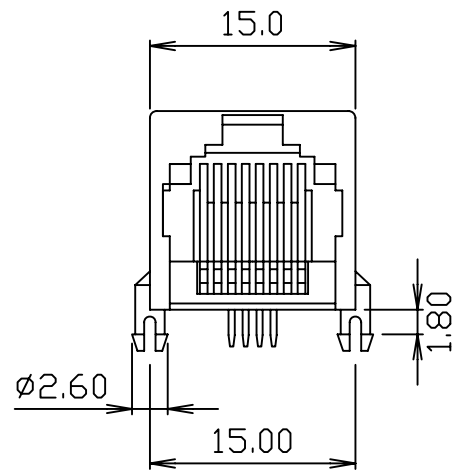
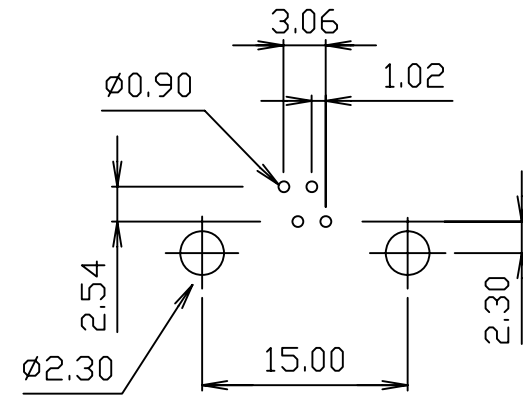


MATERIAL: HOUSING-PBT POLYESTER PHOS-BRONZE  
 MIXED GLASS FIBER  
 STANDARD COLOR-BLACK  
 CONTACTS-0.45mm DIAMETER PHOS-BRONZE  
 PLATED WITH HARH GOLD.  
 CAVITY CONFIRMS TO FCC RULES AND REGULATIONS  
 PART68,SUBPART F.



MJ14S-KX06-0804-LF  
 LEADFREE

RoHS Compliant



PC Board Layout



PART NO. MJ14S-KX06-0804

DWG NO. MJ14S-KX06-0804

FILE NO.

CHECKED BY CY

DRAWING BY

TOLERANCES ARE

.X±0.2  
 .XX±  
 .XXX±  
 AWG

DESCRIPTION:

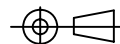
8POSITION SHIELDLESS FLANGELESS  
 MINI LOW PROFILE, SIDE ENTRY PCB JACK

焜倫股份有限公司

UNIT / mm

SCALE 1:1

PROJECTION



AREA

REVISIONS

HK

DATE