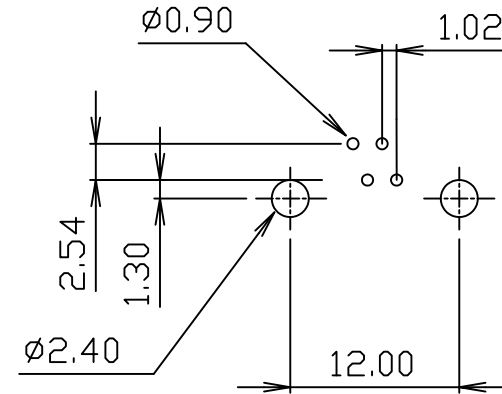


MATERIAL: HOUSING-PBT POLYESTER UL94V-0
 MIXED GLASS FIBER.
 STANDARD COLOR- GREEN-GRAY
 CONTACTS-0.45mm DIAMETER PHOS-BRONZE
 PLATED WITH HARD GOLD.
 CAVITY CONFIRMS TO FCC RULES AND REGULATIONS
 PART 68,SUBPART F.



PC Board Layout

RoHS Compliant

TOLERANCES ARE

MORETHANALL
 PCB CONNECTORS
 Cable ASSEMBLIES

煜倫股份有限公司

www.morethanall.com

DRAWING BY CY

CHECKED BY GENIUS

UNIT / mm

SCALE 1:1

DATE

SIZE A4

P PROJECTION

X.±
 .X±
 .XX±
 .XXX±
 ANG±

照片框

ORDER INFORMATION

MJ14M-GE06P-0604-LF

SERIES

POST

EAR

GRAY

06u" GOLD

6P4C

LEADFREE

DESCRIPTION: 6P4C SIDE ENTRY PCB JACK