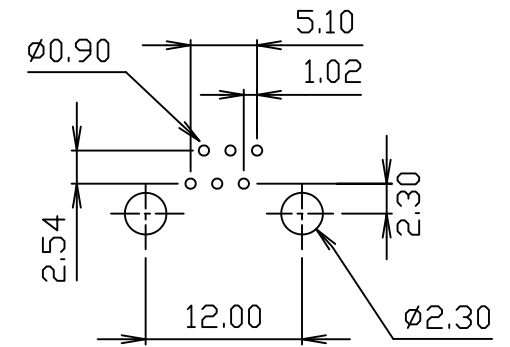


MATERIALS:

- HOUSING-PBT POLYESTER UL94V-0 MIXED GLASS FIBER. STANDARD COLOR-BLACK
- CONTACTS-0.45mm DIA. ROUND PHOS-BRONZE PLATED WITH HARD GOLD.

CAVITY CONFIRMS TO FCC RULES AND REGULATIONS



PC Board Layout

RoHS Compliant

TOLERANCES ARE

MORETHANALL
PCB CONNECTORS
Cable ASSEMBLIES

DRAWING BY CY

X. \pm
.X ± 0.25
.XX ± 0.13
.XXX ± 0.05
ANG \pm

CHECKED BY GENIUS

UNIT / mm SCALE 1 : 1

DATE

SIZE A4

P PROJECTION



ORDER INFORMATION

MJ14L-KE06-0606-LF
SERIES | | | LEADFREE
| | | 6P6C
| | | 06u" GOLD
| | | EAR
| | | BLACK

煜倫股份有限公司

www.morethanall.com

DESCRIPTION: 6POSITION LOW PROFILE SIDE ENTRY PCB JACK