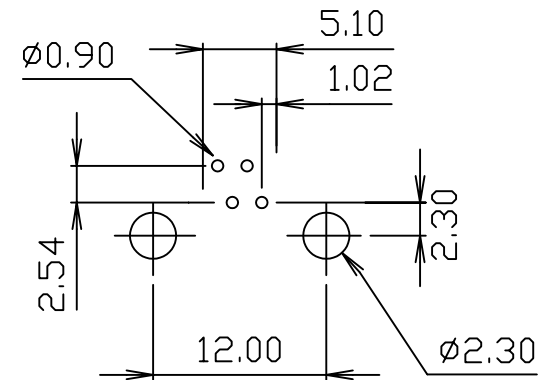


MATERIALS:

· HOUSING-PBT POLYESTER UL94V-0  
MIXED GLASS FIBER,  
STANDARD COLOR-GREY

· CONTACTS-0.45mm DIA. ROUND PHOS-BRONZE  
PLATED WITH HARD GOLD.

CAVITY CONFIRMS TO FCC RULES AND REGULATIONS  
PART 68,SUBPART F.



PC Board Layout

RoHS Compliant

TOLERANCES ARE

**MORETHANALL**  
PCB CONNECTORS  
Cable ASSEMBLIES

DRAWING BY CY

CHECKED BY GENIUS

UNIT / mm

SCALE 1 : 1

DATE

SIZE A4

P PROJECTION

X, ±  
.X ± 0.25  
.XX ± 0.13  
.XXX ± 0.05  
ANG ±

照片框

ORDER INFORMATION

MJ14L-GX06-0604-LF

SERIES

6P4C

06u" GOLD

NON EAR

GRAY

LEADFREE

DESCRIPTION: 6 POSITION LOW PROFILE SIDE ENTRY PCB JACK

煜倫股份有限公司

www.morethanall.com