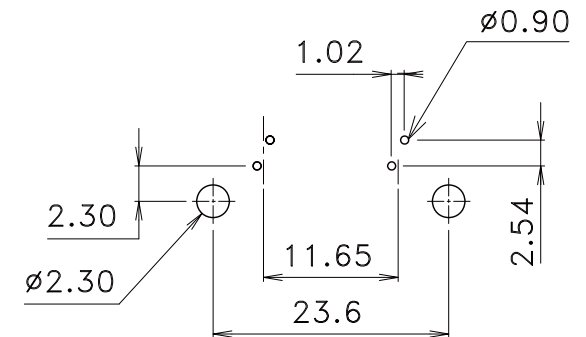


MATERIAL:

- HOUSING-PBT POLYESTER UL94V-0 MIXED GLASS FIBER, STANDARD COLOR-GRAY.
- CONTACTS-0.45mm DIAMETER PHOS-BRONZE PLATED WITH HARD GOLD.

CAVITY CONFIRMS TO FCC RULES AND REGULATIONS PART 68,SUBPART F.



PC Board Layout Ref.

RoHS Compliant

TOLERANCES ARE

MORETHANALL
PCB CONNECTORS
Cable ASSEMBLIES

煜倫股份有限公司

www.morethanall.com

DRAWING BY CY

CHECKED BY GENIUS

UNIT / mm SCALE 1:1

DATE

SIZE A4

X, ±
.X ±
.XX ±
.XXX ±
ANG ±

PJECTION

照片框

ORDER INFORMATION

MJ14A2-GX06-0602-LF

SERIES | | | LEADFREE
| | | 6P2C
| | | 06u" GOLD
| | | EAR
| | | GRAY

DESCRIPTION: RJ11, 2PORTS, MINI LOW PROFILE GANGE, SIDE ENTRY PCB JACK.