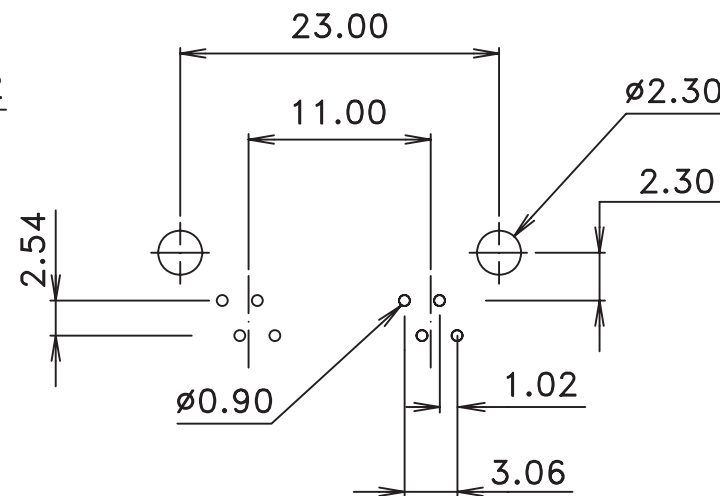
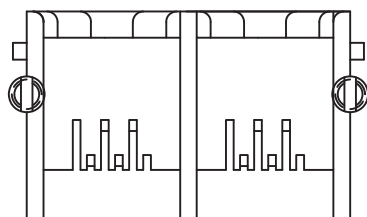


MATERIAL: HOUSING-PBT POLYESTER UL94V-0
 MIXED GLASS FIBER,
 STANDARD COLOR-GRAY
 CONTACTS-0.45mm DIAMETER PHOS-BRONZE
 PLATED WITH HARD GOLD
 CAVITY CONFIRMS TO FCC RULES AND REGULATIONS



PC Board Layout

RoHS Compliant

TOLERANCES ARE

MORETHANALL
 PCB CONNECTORS
 Cable ASSEMBLIES

DRAWING BY CY

CHECKED BY GENIUS

UNIT / mm

SCALE 1:1

DATE

SIZE A4

X, ±
 .X ± 0.25
 .XX ± 0.13
 .XXX ± 0.05
 ANG ±

PJECTION

照片框

ORDER INFORMATION

MJ14A2-GE06-0604-LF

SERIES

LEADFREE

6P4C
 06u" GOLD
 EAR
 GRAY

煜倫股份有限公司

www.morethanall.com

DESCRIPTION: 6POSITION FLANGED TWIN TYPE PCB LOW PROFILE JACK