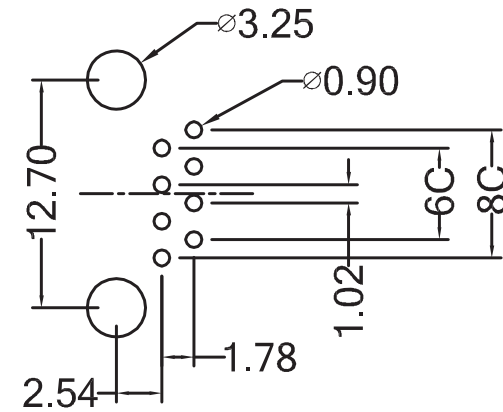


MATERIAL & FINISH

Housing: PBT. UL94V-0, black

Conductor:

- └ Round pin: 0.45 mm diameter phosphor bronze,
- └ Plating: Gold plated over nickel.



PCB LAYOUT / TOP VIEW

RoHS Compliant

TOLERANCES ARE

MORETHANALL
PCB CONNECTORS
Cable ASSEMBLIES

DRAWING BY CY

X.±

CHECKED BY GENIUS

.X±

UNIT / mm

SCALE 1:1

.XX±

DATE

.XXX±

ANG±

SIZE A4

PPOJECTION

照片框

ORDER INFORMATION

MJ13U-KX06D4-0808-LF

SERIES

LEADFREE

8P8C

DIA 0.45Ø

06u" GOLD

NON EAR

BLACK

煜倫股份有限公司

www.morethanall.com

DESCRIPTION: