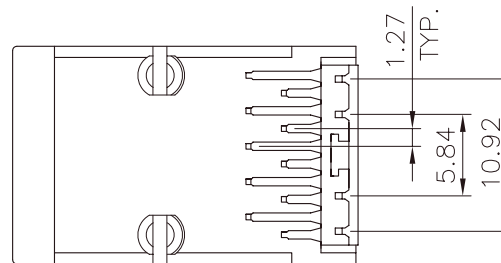


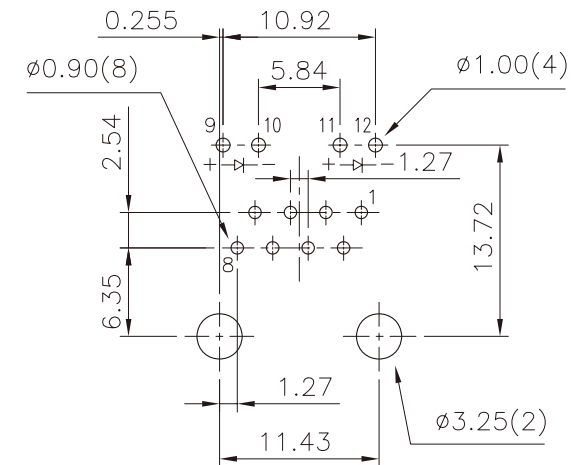
DETAIL X



MATERIAL:

- HOUSING—PBT POLYESTER UL94V-0 MIXED GLASS FIBER. STANDARD COLOR—BLACK.
- CONTACTS—0.35mm THICK PHOS-BRONZE PLATED WITH HARD GOLD AND GOLD FLASH IN SOLDER AREA.

CAVITY CONFIRMS TO FCC RULES AND REGULATIONS PART 68,SUBPART F.



PCB LAYOUT

Ref.

RoHS Compliant

TOLERANCES ARE

MORETHANALL
PCB CONNECTORS
Cable ASSEMBLIES

煜倫股份有限公司

www.morethanall.com

DRAWING BY CY

CHECKED BY GENIUS

UNIT/ mm

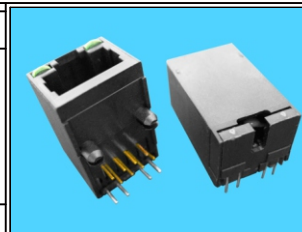
SCALE 1:1

DATE

SIZE A4

X. \pm
.X \pm
.XX \pm
.XXX \pm
ANG \pm

PPOJECTION



ORDER INFORMATION

MJ13T25UL-KX30xx-0808-LF

SERIES

BLACK

NON EAR

30u" GOLD

8P8C

LED 1

LED 2

GR:GREEN/ RED

GY:GREEN/ YELLOW

YG:YELLOW/ GREEN

GG:GREEN/ GREEN

LEADFREE

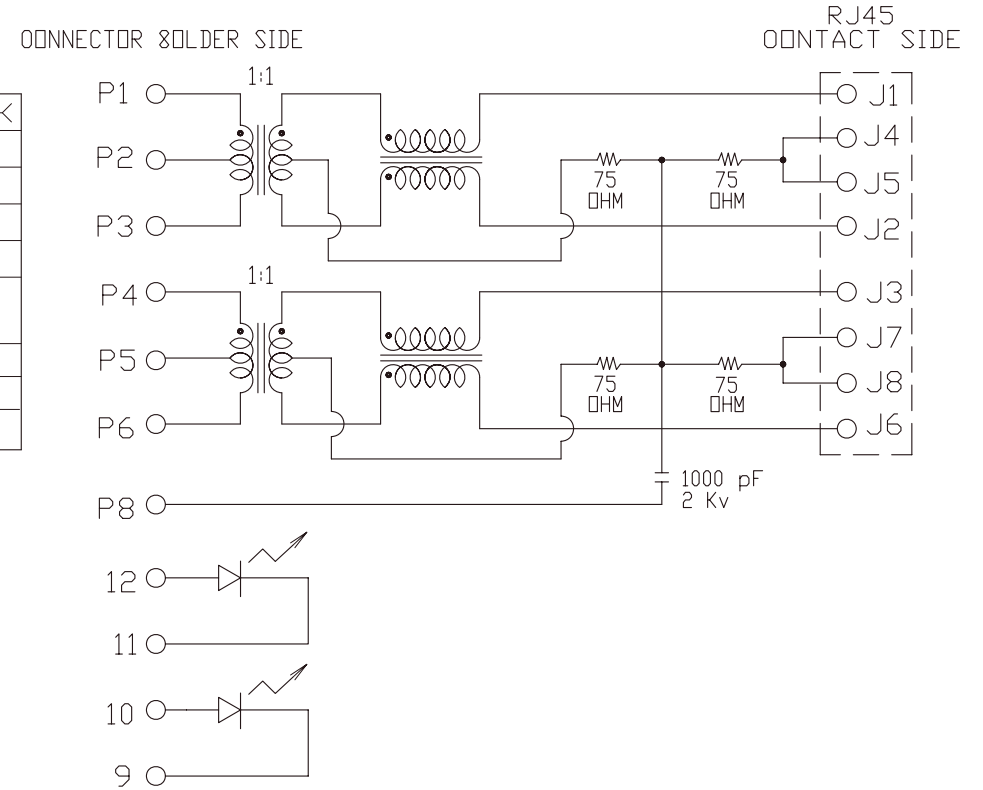
DESCRIPTION: SINGLE PORT, RJ45, WITH LED'S SHIELDLESS, DIP TYPE, SIDE ENTRY.

TRANSFORMER TYPE 1

Specification :

| Item | Parameter | Condition | Min. | Typ. | Max. | Unit | REMARK |
|------|---|------------------|------|------|------|------|--------|
| 1 | Insertion loss | 1-100 MHz | | | -1 | dB | |
| 2 | Return loss | 1-30 MHz | -20 | | | dB | |
| | | 30-60 MHz | -15 | | | dB | |
| | | 60-80 MHz | -12 | | | dB | |
| 3 | Primary Inductance @100KHz, 0.1Vrms, 8mA DC BIAS | (J1-J2), (J3-J6) | 350 | | | μH | |
| 4 | Crosstalk | 1-100 MHz | -35 | | | dB | |
| 5 | Hipot | Vrms | 1.5 | | | kV | |
| 6 | COMMON MODE REJECTION | 1-100 MHz | -35 | | | dB | |

* OPERATING TEMPERATURE RANGE: 0°C TO +70°C.



CONNECTOR SCHEMATIC

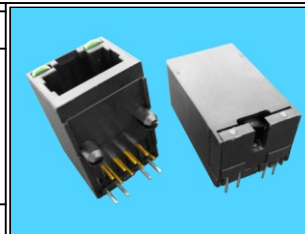
RoHS Compliant

TOLERANCES ARE

MORETHANALL
PCB CONNECTORS
Cable ASSEMBLIES

DRAWING BY CY
CHECKED BY GENIUS
UNIT/mm SCALE 1:1
DATE

X. ±
.X ±
.XX ±
.XXX ±
ANG ±



ORDER INFORMATION

MJ13T25UL-KX30xx-0808-LF

SERIES | 8P8C | LEADFREE
LED 1 | LED 2
BLACK | GR:GREEN/ RED
NON EAR | GY:GREEN/ YELLOW
30u" GOLD | YG:YELLOW/ GREEN
GG:GREEN/ GREEN

DESCRIPTION: TRANSFORMER TYPE 1 SPECIFICATION

煜倫股份有限公司

www.morethanall.com

SIZE A4

PPOJECTION