

DETAIL Y

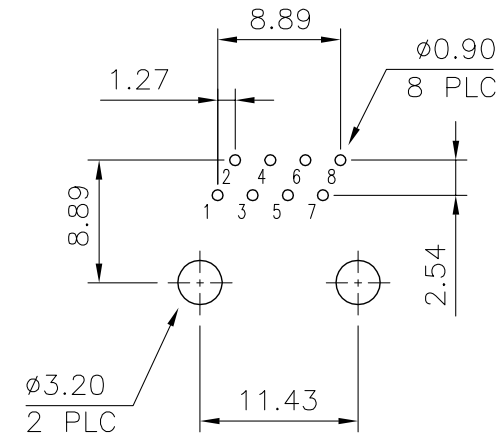
MATERIAL:

- HOUSING—PBT POLYESTER UL94V-0 MIXED GLASS FIBER. STARDAND COLOR—BLACK.
- CONTACTS—0.35mm THICK PHOS—BRONZE PLATED WITH HARD GOLD AND TIN/LEAD IN SOLDER AREA.

CAVITY CONFIRMS TO FCC RULES AND REGULATIONS PART 68,SUBPART F.

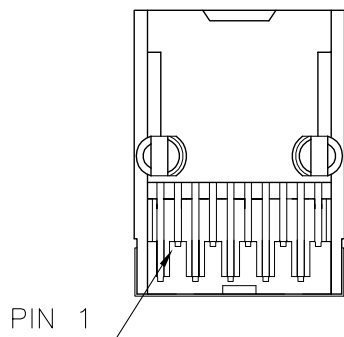
"▽" SHOWS QIP INSPECTION POINT.

REVISIONS			
LTR	DESCRIPTION	DATE	APP
△	3.40±0.25	05/29/'04	CHANG



PCB LAYOUT

Ref.



**RoHS Compliant**

TOLERANCES ARE

**MORETHANALL**  
PCB CONNECTORS  
Cable ASSEMBLIES

DRAWING BY CY

CHECKED BY GENIUS

UNIT / mm

SCALE 1 : 1

DATE

SIZE A4

PPOJECTION

X. ±  
.X ± 0.25  
.XX ± 0.20  
.XXX ± 0.10  
ANG ±

照片框

**ORDER INFORMATION**

**MJ13T25-KX06-0808-LF**

SERIES

LEADFREE

8P8C  
06u" GOLD  
NON EAR  
BLACK

**煜倫股份有限公司**

[www.morethanall.com](http://www.morethanall.com)

DESCRIPTION: SINGLE PORT, RJ45, SHIELDLESS, FLAT PIN, WITH TRANSFORMER, SIDE ENTRY PCB JACK

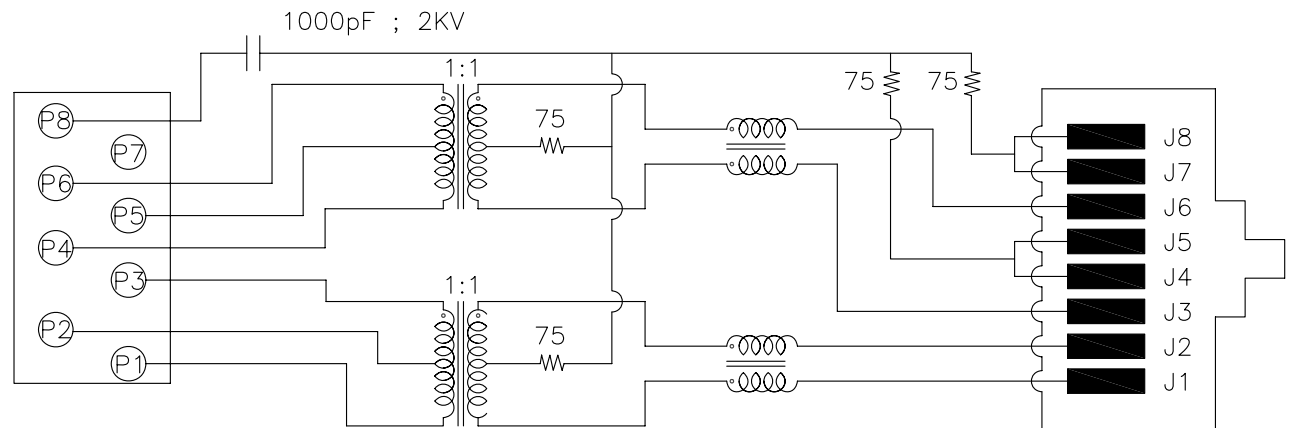
# TRANSFORMER TYPE 39

## ELECTRICAL CHARACTERISTICS:

1. TURNS RATIO :
  - (P6-P5-P4): (J6-J3) : 1CT:1CT  $\pm$  3%
  - (P3-P2-P1): (J2-J1) : 1CT:1CT  $\pm$  3%
2. INDUCTANCE: (P6-P4) : 350uH MIN. @ 0.1V, 100KHz,8mA DC Bias  
 (P3-P1) : 350uH MIN. @ 0.1V, 100KHz,8mA DC Bias
3. LEAKAGE INDUCTANCE: P6-P4 (WITH J6 AND J3 SHORT) : 0.3 MAX. @ 1MHz  
 P3-P1 (WITH J2 AND J1 SHORT) : 0.3 MAX. @ 1MHz
4. INTERWINDING CAPACITANCE: (P6,P5,P4)TO(J6,J3) : 30pf MAX. @1MHz  
 (P3,P2,P1)TO(J2,J1) : 30pf MAX. @1MHz
5. DC RESISTANCE: (J6-J3)=(J2-J1) : 1.2 ohms Max.
6. CROSSTALK : -30dB MIN AT 1MHz TO 100MHz
7. INSERTION LOSS : -1.0dB MAX AT 1MHz TO 100MHz
- 8 RETURN LOSS : -20dB MIN AT 1MHz TO 30MHz  
 -15dB MIN AT 30MHz TO 60MHz  
 -10dB MIN AT 60MHz TO 80MHz

## NOTES

1.0 PINS WITHOUT ELECTRICAL CONNECTION ARE OMITTED



CONNECTOR SCHEMATIC

RoHS Compliant

TOLERANCES ARE

**MORETHANALL**  
PCB CONNECTORS  
Cable ASSEMBLIES

煜倫股份有限公司

www.morethanall.com

DRAWING BY CY

CHECKED BY GENIUS

UNIT / mm SCALE 1 : 1

DATE

SIZE A4 PROJECTION

X,  $\pm$   
 .X  $\pm$  0.25  
 .XX  $\pm$  0.20  
 .XXX  $\pm$  0.10  
 ANG  $\pm$

照片框

ORDER INFORMATION

MJ13T25-KX06-0808-LF

SERIES  
 LEADFREE  
 8P8C  
 06u" GOLD  
 NON EAR  
 BLACK

DESCRIPTION: SINGLE PORT, RJ45, SHIELDLESS, FLAT PIN, WITH TRANSFORMER, SIDE ENTRY PCB JACK