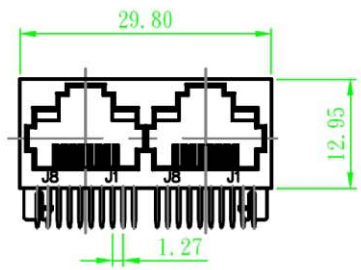
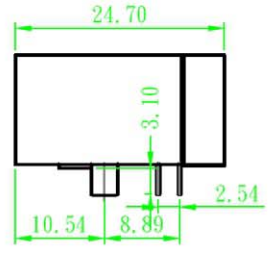


MATERIAL:
 HOUSING: PBT,UL94V-0,WHITE .
 TERMINALS BRACKET: PBT,UL94V-0,WHITE.
 TERMINAL: PHOSPHOR BRONZEC5210,T=0.35MM,
 6U" GOLD PLATING ON CONTACT AREA.

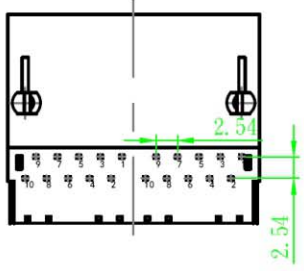
MECHANICAL:
 DURABILITY: 750 CYCLES MIN.
 MATING FORCE: 23N MAX.
 OPERATING TEMPERATURE:-40°C~+85°C.
 STORAGE TEMPERATURE:-40°C~+85°C.



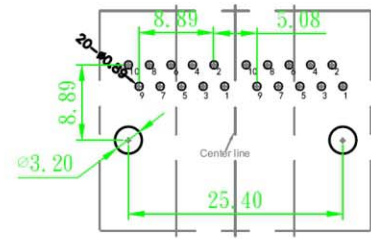
FRONT VIEW



RIGHT SIDE VIEW



BOTTOM VIEW



**RECOMMENDED PCB LAYOUT
 VIEWED FROM COMPONENT SIDE**

RoHS Compliant

TOLERANCES ARE

MORETHANALL
 PCB CONNECTORS
 Cable ASSEMBLIES

DRAWING BY CY

CHECKED BY GENIUS

UNIT / mm

SCALE 1 : 1

DATE

SIZE A4

P PROJECTION

X, ±
 .X ± 0.25
 .XX ± 0.15
 .XXX ±
 ANG ±

照片框

ORDER INFORMATION

MJ13T010A2U-WX06-0808-LF

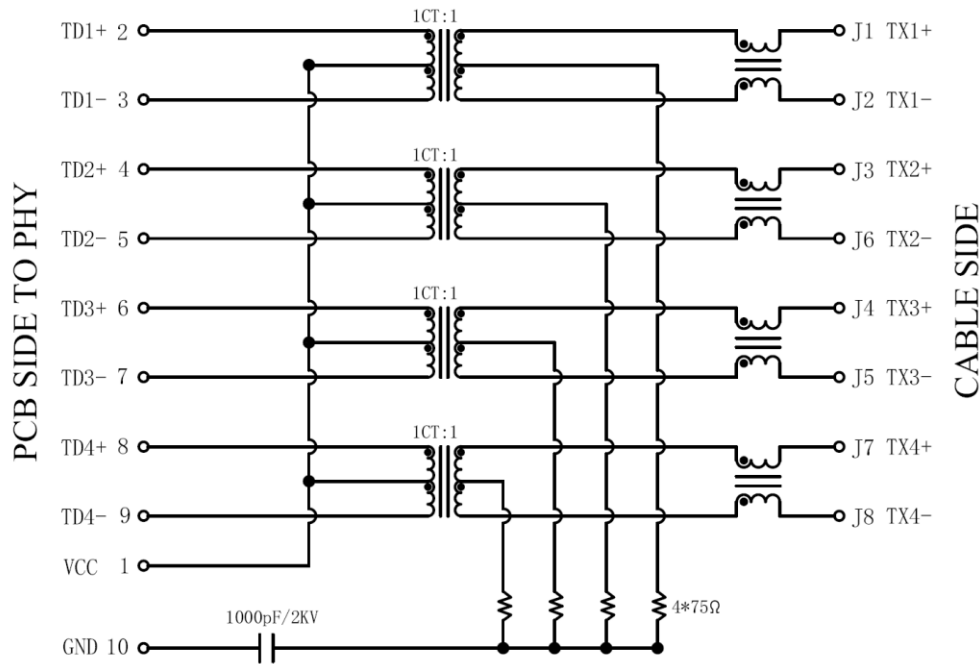
SERIES

LEADFREE
 8P8C
 06u" GOLD
 NON EAR
 WHITE

煜倫股份有限公司

www.morethanall.com

DESCRIPTION:



1. Turn ratio: 2~3: J1~J2=1CT:1CT(±2%).
4~5: J3~J6=1CT:1CT(±2%).
6~7: J4~J5=1CT:1CT(±2%).
8~9: J7~J8=1CT:1CT(±2%).
2. OCL: 350uH Min. at 100KHz 100mV 8mA DC.
3. Insertion Loss: -1.0 dB Max 1~100MHz.
4. Return loss: -20dB Min 1~10MHz;
-16dB Min 10~30MHz.
-12dB Min 30~60MHz.
-10dB Min 60~80MHz.
5. Cross talk: -40dB Min 1~30MHz;
-35dB Min 30~60MHz;
-30dB Min 60~100MHz;
6. CMR: -30dB Min 1~100MHz;
7. Hi-Pot: 1500V AC & 2250V DC
6S 1mA PRI TO SEC

RoHS Compliant

TOLERANCES ARE

MORETHANALL
PCB CONNECTORS
Cable ASSEMBLIES

DRAWING BY CY

X. ±

CHECKED BY GENIUS

.X ± 0.25

UNIT / mm

SCALE 1 : 1

.XX ± 0.15

DATE

.XXX ±

ANG ±

照片框

ORDER INFORMATION

MJ13T010A2U-WX06-0808-LF

SERIES

LEADFREE

06u" GOLD
NON EAR
WHITE

煜倫股份有限公司

www.morethanall.com

SIZE A4

P PROJECTION

DESCRIPTION: