

**Notes:**  
**Characteristics Description:**

1. RJ45 10/100 Base-Tx Transformer Jack With Transformer Impedance Resistor/High Voltage Capacitor.
2. Size Same As RJ-45 Modular Jack To Save PCB Space.
3. Reduce EMI Radiation, Improve EMI Performance.
4. Designed For Network Interface Card Application.
5. Designed To Meet IEEE 802.3u Requirement.
6. Designed For 100 Base Transmission Over UTP-5 Cable.
7. Operation Temperature Range: 0°C To 70°C

**Electrical Specifications:**

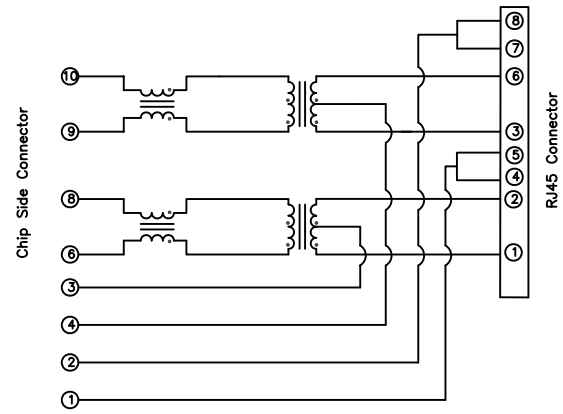
1. Inductance At 100 KHz, 100 mV 8mADC Bias: 350uH Min.
2. Leakage Inductance 0.3 uH Max. @100KHz 100mV
3. Insertion Loss: 1.0dB Max. @ 0.3-100MHz
4. Return Loss: 20dB Min. @ 1-10MHz  
16dB Min. @ 10-30MHz  
12dB Min. @ 30-60MHz  
10dB Min. @ 60-80MHz
5. Cross Talk: 40dB Min. @ 1-30MHz  
35dB Min. @ 30-60MHz  
30dB Min. @ 60-100MHz
6. Common Mode Rejection: 30dB Min. @ 1-50MHz  
20dB Min. @ 50-130MHz
7. Isolation @60Hz: 1500Vrms(Input To Output) 60 Seconds.

**Mechanical:**

1. Housing Material : High Temperature UL94V-0
2. Contact Mateial : Phosphor Bronze t=0.35mm.
3. Plating : Contact Area- Selecting Gold Plating.
4. Operating Life : 750 Cycles Min.

**Environmental:**

1. Storage : -40°C To +85°C.
  2. Operation : 0°C To +70°C.
  3. Wave Soldering Temperature: 255~265°C (3~5 Seconds)
- Mates With Modular Plug Conforming To FCC Part 68, Subpart F.



PART NO. MJ13P34A2L-KX06YG-0808	
DWG NO. MJ13P34A2L-KX06YG-0808	
FILE NO.	
UNIT / mm	SCALE 1:1

RoHS Compliant

CHECKED BY CY	TOLERANCES ARE
DRAWING BY	.X ± 0.2
PROJECTION	.XX ± 0.1
	.XXX ±
	AWG

DESCRIP TION:				
AREA	REVISIONS	HK	DATE	

煜倫股份有限公司