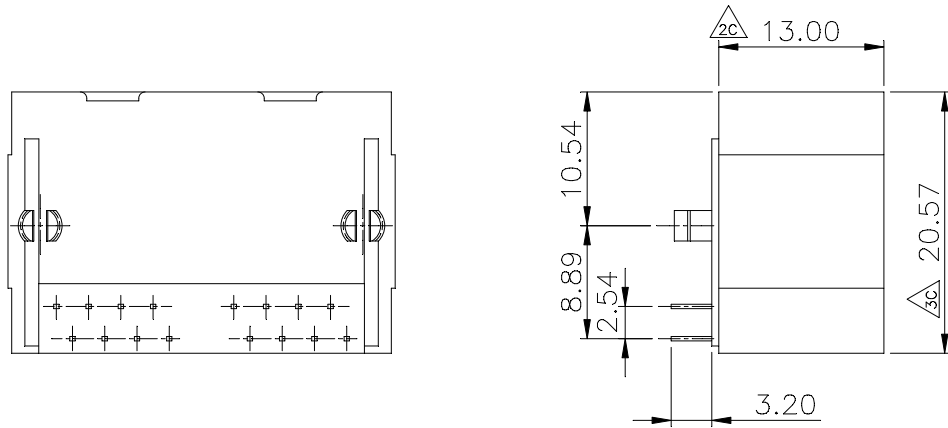


MATERIALS:
 PLASTIC HOUSING: ENGINEERING THERMOPLASTIC
 FLAMMABILITY RATING UL 94V-0.
 INSERT: ENGINEERING THERMOPLASTIC
 FLAMMABILITY RATING UL 94V-0.(COLOR GRAY)
 CONTACTS: 0.35mm THICKNESS PHOSPHOR BRONZE
 PLATING: GOLD PLATING OVER NICKEL IN CONTACT.
 TIN PLATING OVER NICKEL IN SOLDER AREA.



※ 凡標註△記號者, 為品管檢驗之尺寸

MJ13C5A2-KX30-0808-LF
 30:30u" GOLD LEADFREE
 RoHS Compliant

	PART NO. MJ13C5A2-KX30-0808		TOLERANCES ARE X. ± 0.50 .X ± 0.38 .XX ± 0.25 .XXX ± 0.10 ANG	DESCRIPTION: 1*2PORTS PCB C.5 JACK(8P8C插針)	AREA	REVISIONS	DATE
	DWG NO. MJ13C5A2-KX30-0808						
焯倫股份有限公司	FILE NO.		DRAWING BY				
	UNIT / mm	SCALE 1:1	PROJECTION				