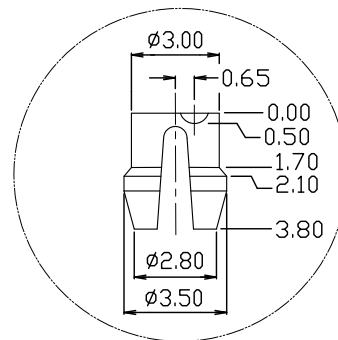
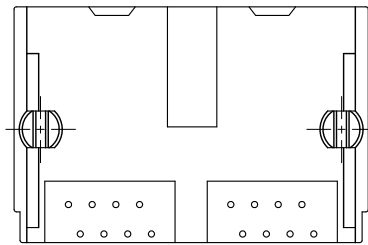
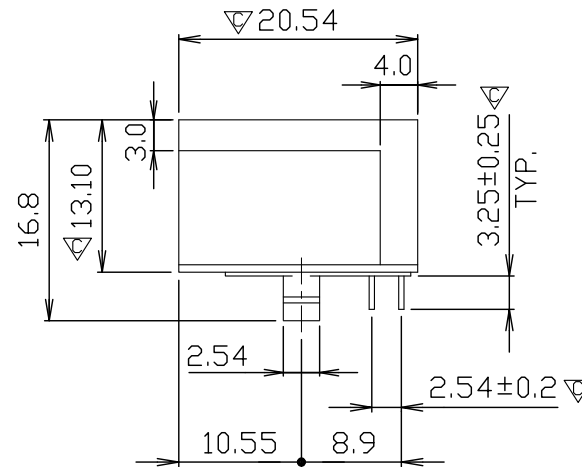
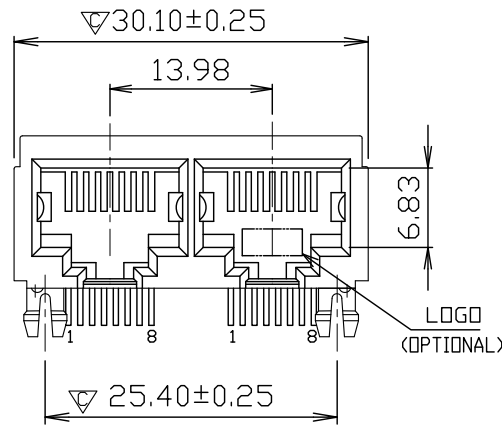


MATERIAL:

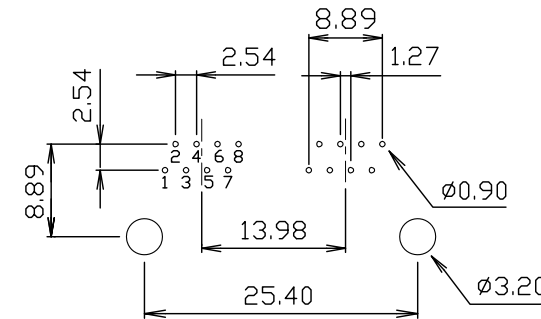
- HOUSING-PBT POLYESTER UL94V-0
MIXED GLASS FIBER.
STANDARD COLOR-BLACK
- CONTACTS-0.45mm DIAMETER PHOS-BRONZE
PLATED WITH HARD GOLD.

CAVITY CONFIRMS TO FCC RULES AND REGULATIONS
PART 68,SUBPART F.

"▽" SHOWS QIP INSPECTION POINT.



SPLIT-PEGS



PCB Layout
Ref.

RoHS Compliant

TOLERANCES ARE

MORETHANALL
PCB CONNECTORS
Cable ASSEMBLIES

DRAWING BY CY

CHECKED BY GENIUS

UNIT / mm

SCALE 1 : 1

DATE

SIZE A4

P PROJECTION

X, ±
.X ± 0.25
.XX ± 0.13
.XXX ± 0.05
ANG ±

照片框

ORDER INFORMATION

MJ13A2-KX06-0808-LF

SERIES

LEADFREE

8P8C
06u" GOLD
NON EAR
BLACK

煜倫股份有限公司

www.morethanall.com

DESCRIPTION: 8 POSITION 2 PORTS SIDE ENTRY PCB GANGED JACK