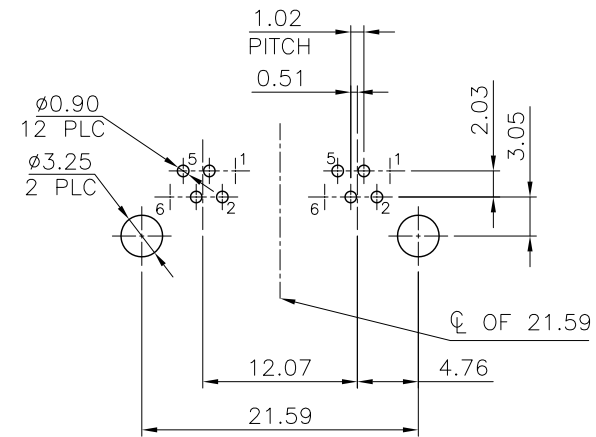


DETAIL Z
SCALE 2:1



RECOMMENDED PCB LAYOUT

RECOMMENDED PCB THICKNESS: 1.6mm
TOLERANCE: ±0.05 (TOP VIEW)

NOTE:

CAVITY CONFIRMS TO FCC RULES AND REGULATIONS PART 68, SUBPART F.

- MATERIAL:
HOUSING: PBT OR PA46, WITH GLASS FIBER, UL 94V-0, STANDARD COLOR-BLACK.
CONTACTS: PHOSPHOR BRONZE.
- FINISH:
CONTACTS: GOLD PLATED ON CONTACT AREA, 0.0254μm [1μ"] GOLD PLATED ON SOLDER TAIL, WITH ENTIRE CONTACT UNDERPLATED 1.27μm [50μ"] MIN. NICKEL
- "▽" SHOWS QIP INSPECTION POINT.

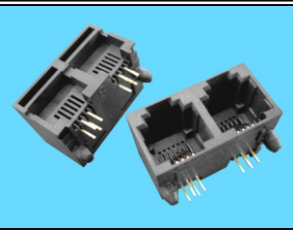
RoHS Compliant



煜倫股份有限公司

www.morethanall.com

DRAWING BY CY		TOLERANCES ARE X ± .X ± 0.25 .XX ± 0.13 .XXX ± 0.05 ANG ±
CHECKED BY GENIUS		
UNIT / mm	SCALE 1:1	
DATE		
SIZE A4	PPOJECTION	



ORDER INFORMATION

MJ12UA2-KX06-0604-LF
SERIES | 6P4C LEADFREE
| 06u" GOLD
| NON EARS
| BLACK

DESCRIPTION: 2PORTS, 6POSITION, FLAT PIN, L/P SIDE ENTRY PCB JACK