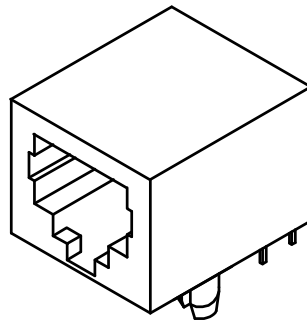
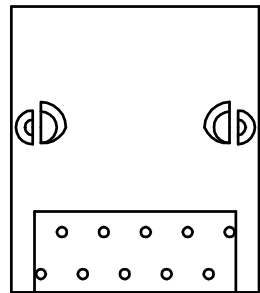


PCB LAYOUT / TOP VIEW



position	contact	A	B	C
4P	4C	15.00	11.43	8.00
6P	2C/4C/6C	15.00	11.43	9.90
8P	4C/6C/8C	15.00	11.43	11.90
10P	10C	15.00	11.43	11.90

**MATERIAL & FINISH**

Housing & Insert: PBT or Nylon 9T, UL94V-0, black

Contact: 0.35 mm thickness phosphor bronze,  
Gold plated over nickel on contact area,  
Tin plated over nickel on solder area.

Temperature: -40°C to 85°C

Mating Cycle: 750 min.

**ELECTRICAL SPECIFICATIONS**

Voltage: 125 VAC

Current: 1.5 A

Contact Resistance: 30 milliohms max.

Insulation Resistance: 500 megohms min.

Dielectric Withstanding Voltage: 1000 VAC

**RoHS Compliant**

TOLERANCES ARE



煜倫股份有限公司

www.morethanall.com

DRAWING BY CY

CHECKED BY GENIUS

UNIT / mm SCALE 1 : 1

DATE

SIZE A4

X, ±  
.X ±  
.XX ±  
.XXX ±  
ANG ±

P PROJECTION

照片框

**ORDER INFORMATION**

MJ14S-KX06-xyyy-LF

SERIES LEADFREE  
BLACK 0404:4P4C  
NON EAR 0602:6P2C  
1010:10P10C  
06u" GOLD

DESCRIPTION: