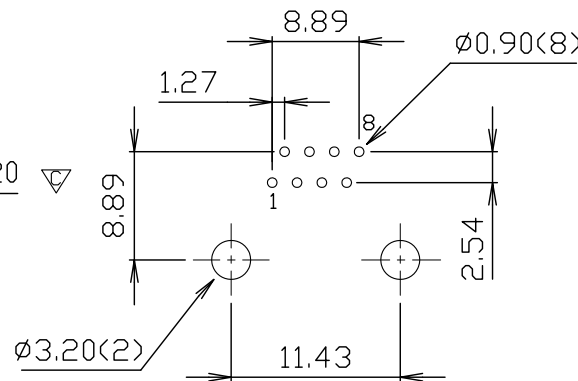
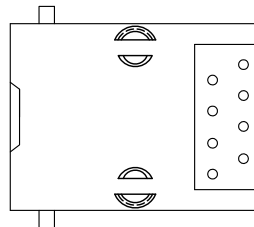
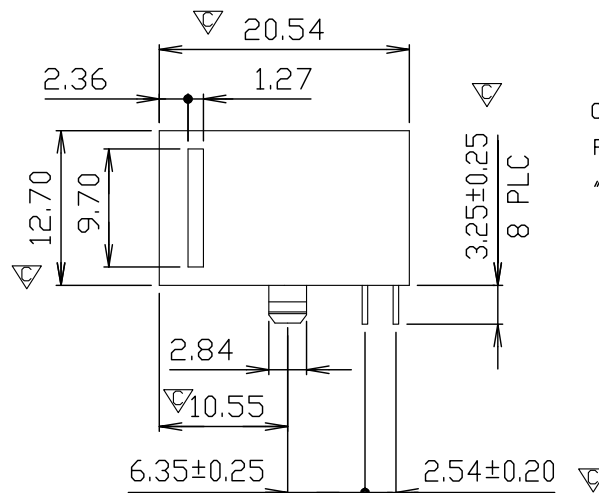


DETAIL X



PC Board Layout
Ref.

MATERIALS:

- HOUSING-PBT POLYESTER UL94V-0 MIXED GLASS FIBER. STANDARD COLOR-BLACK
- CONTACTS-0.45mm DIA. ROUND PHOS-BRONZE PLATED WITH HARD GOLD.

CAVITY CONFIRMS TO FCC RULES AND REGULATIONS PART 68,SUBPART F.

"▽" SHOWS QIP INSPECTION POINT.

RoHS Compliant

TOLERANCES ARE

MORETHANALL
PCB CONNECTORS
Cable ASSEMBLIES

煜倫股份有限公司

www.morethanall.com

DRAWING BY CY

CHECKED BY GENIUS

UNIT / mm

SCALE 1 : 1

DATE

SIZE A4

X, ±
.X ± 0.25
.XX ± 0.13
.XXX ± 0.05
ANG ±

P PROJECTION

照片框

ORDER INFORMATION

MJ12L-KE01-0808-LF

SERIES | | | LEADFREE
| | | 8P8C
| | | 1u" GOLD
| | | EAR
| | | BLACK

DESCRIPTION: RJ11, ROUND PIN, SIDE ENTRY PCB JACK