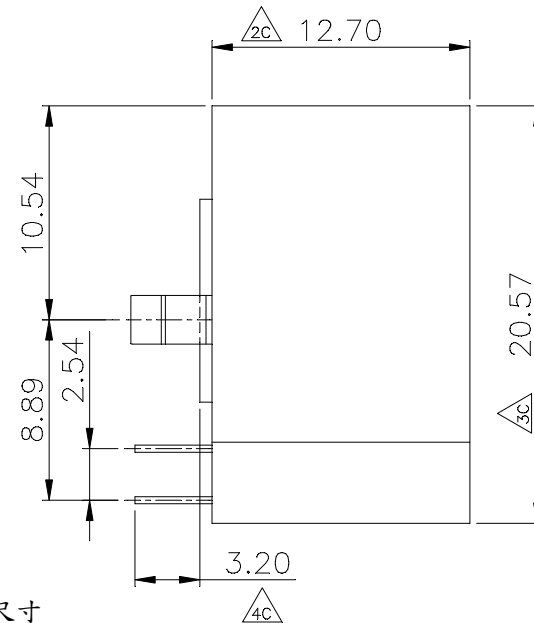
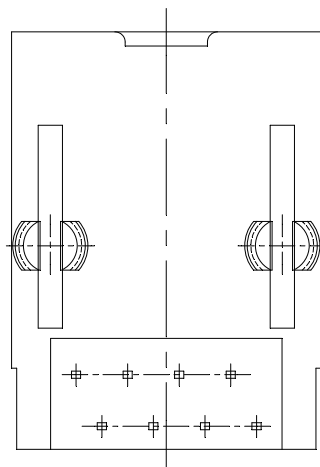
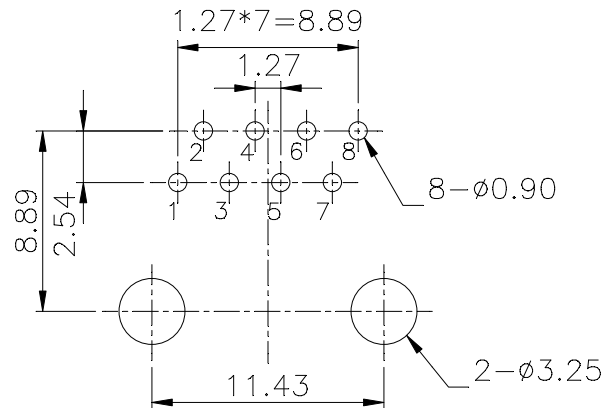


PCB LAYOUT/TOP VIEW



※ 凡標註記號者, 為品管檢驗之尺寸

MATERIALS:

PLASTIC HOUSING: ENGINEERING THERMOPLASTIC

FLAMMABILITY RATING UL 94V-0.

INSERT: ENGINEERING THERMOPLASTIC

FLAMMABILITY RATING UL 94V-0.(COLOR GRAY)

CONTACTS: PHOSPHOR BRONZE

PLATING: GOLD PLATING OVER NICKEL IN CONTACT.

TIN PLATING OVER NICKEL IN SOLDER AREA.

RoHS Compliant

TOLERANCES ARE

MORETHANALL
PCB CONNECTORS
Cable ASSEMBLIES

DRAWING BY CY

X. ± 0.50

CHECKED BY GENIUS

.X ± 0.38

UNIT / mm

SCALE 1:1

.XX ± 0.25

DATE

.XXX ± 0.10

ANG ± 3°

SIZE A4

P PROJECTION

照片框

ORDER INFORMATION

MJ12C5-KXxx-0808-LF

SERIES

LEADFREE

8P8C

15:15u" GOLD

30:30u" GOLD

NON EARS

BLACK

煜倫股份有限公司

www.morethanall.com

DESCRIPTION: SIDE ENTRY C.5 JACK(8P8C編針)