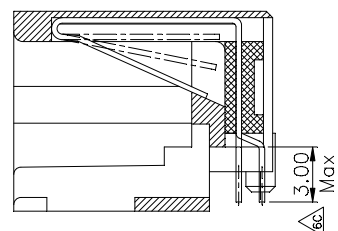
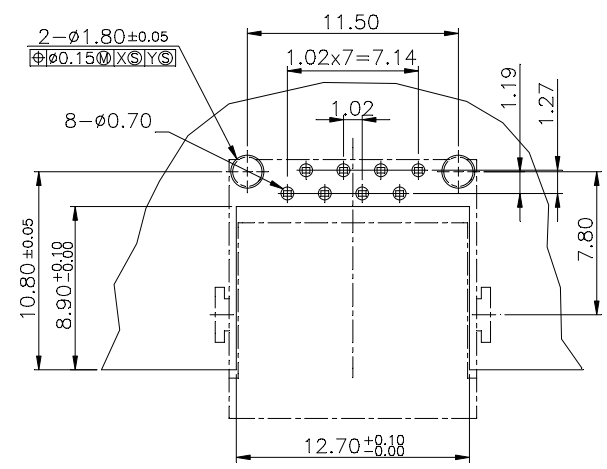


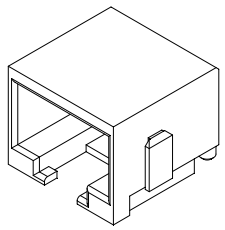
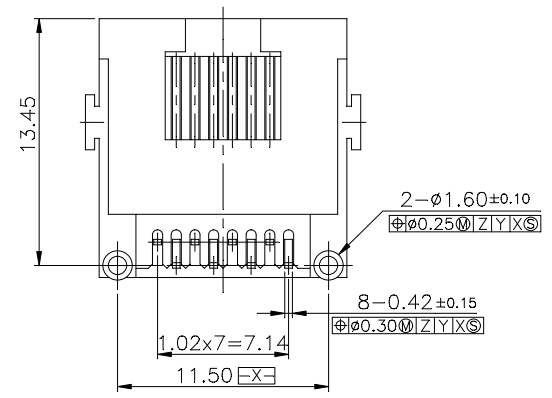
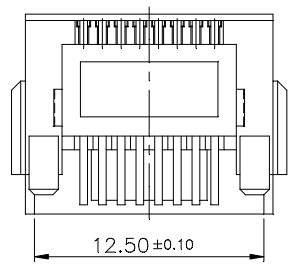
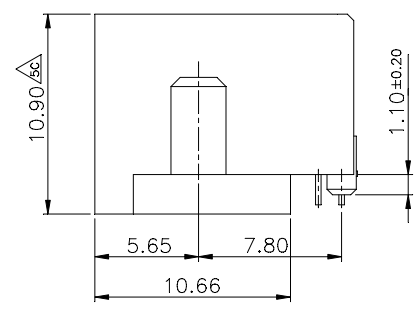
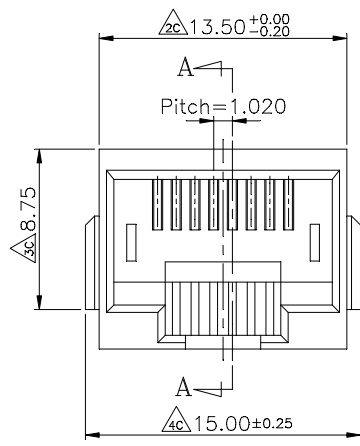
RoHS COMPLIANT



SECTION A-A



RECOMMENDED P.C.B LAYOUT  
TOP VIEW (COMPONENT SIDE)



MJ08-KX06-0808-LF  
LEADFREE  
RoHS Compliant

**MORETHANALL**  
CONNECTORS  
ASSEMBLIES

焯倫股份有限公司

PART NO. MJ08-KX06-0808		CHECKED BY CY		TOLERANCES ARE .X ± 0.2 .XX ± .XXX ± AWG	DESCRIPTION:			
DWG NO. MJ08-KX06-0808		DRAWING BY						
FILE NO.		PROJECTION		AREA	REVISIONS	HK	DATE	