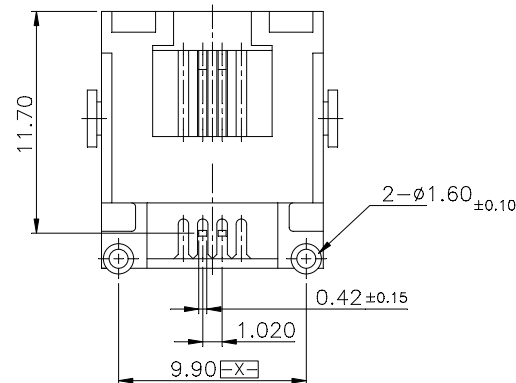
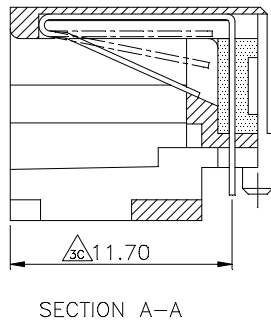
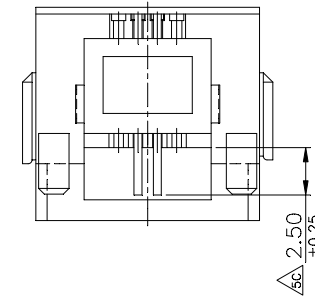
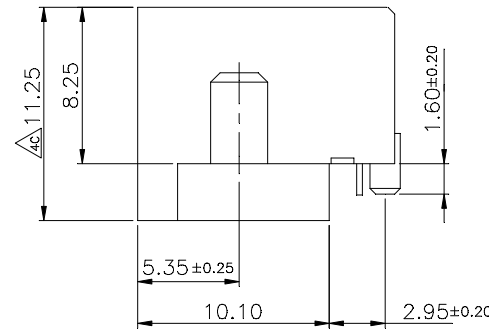
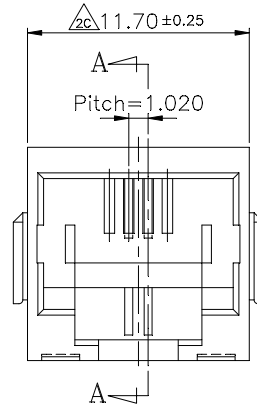


MJ08-KX06-0602-LF
LEADFREE
RoHS Compliant



MATERIALS:
 PLASTIC HOUSING: HIGH TEMP. THERMOPLASTIC
 FLAMMABILITY RATING UL 94V-0.
 CONTACTS: PHOSPHOR BRONZE
 PLATING: GOLD PLATING OVER NICKEL IN CONTACT.
 TIN PLATING OVER NICKEL IN SOLDER AREA.



PART NO. MJ08-KX06-0602

DWG NO. MJ08-KX06-0602

CHECKED BY CY

TOLERANCES ARE

DESCRIP TION:				
	AREA	REVISIONS	HK	DATE

FILE NO.

DRAWING BY

.X ± 0.2
.XX ± 0.1
.XXX ±
AWG

煜倫股份有限公司

UNIT / mm

SCALE 1:1

PROJECTION