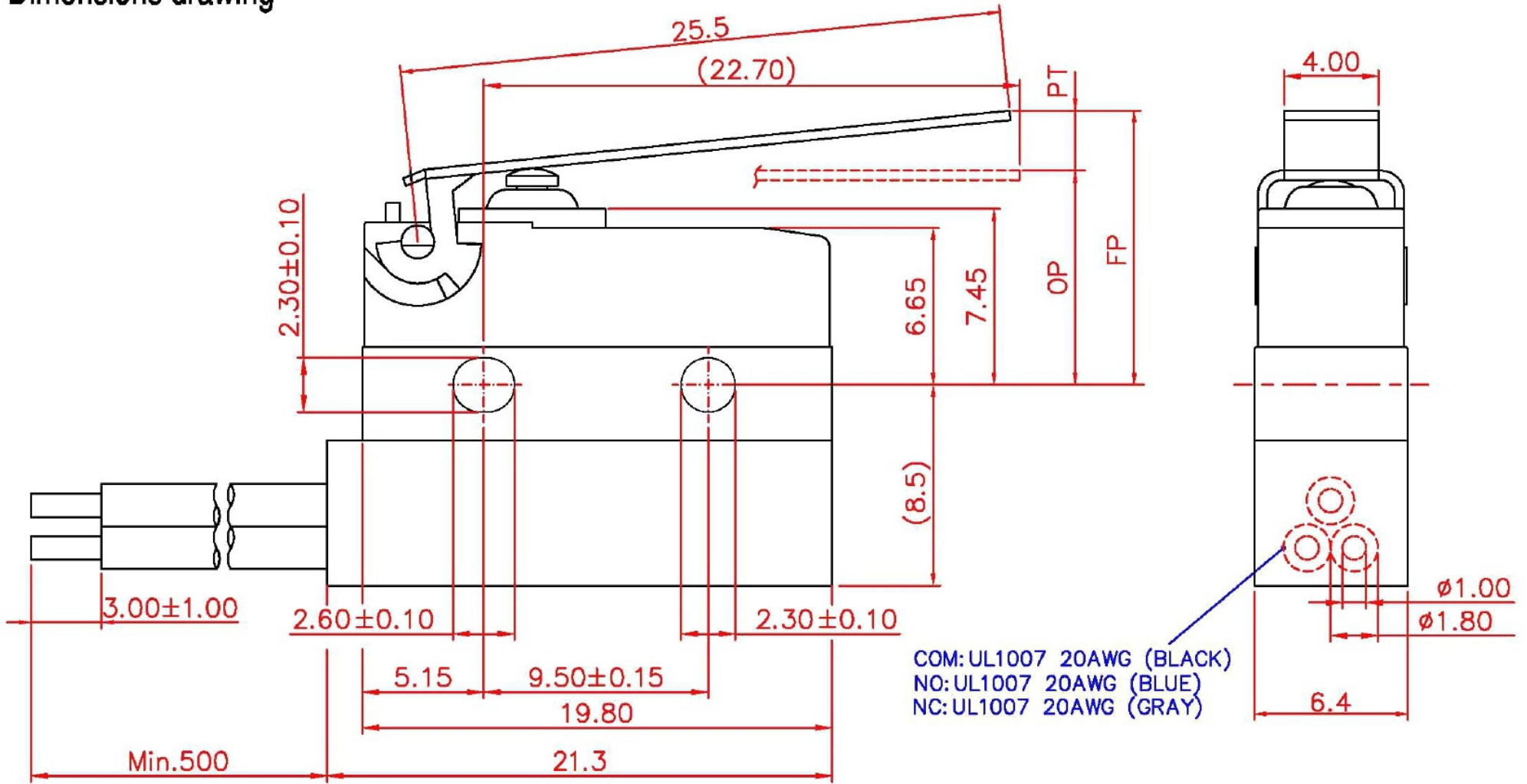


Dimensions drawing



RoHS Compliant

TOLERANCES ARE

MORETHANALL
PCB CONNECTORS
Cable ASSEMBLIES

DRAWING BY CY

CHECKED BY GENIUS

UNIT / mm

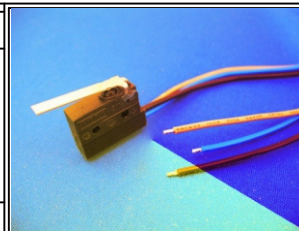
SCALE 1 : 1

DATE

SIZE A4

PPOJECTION

X, ±
.X ±
.XX ±
.XXX ±
ANG ±



ORDER INFORMATION

MISWX1-030020-500-LF

SERIES

LEADFREE

500mm

20 AWG

03 WAY

煜倫股份有限公司

www.morethanall.com

DESCRIPTION: