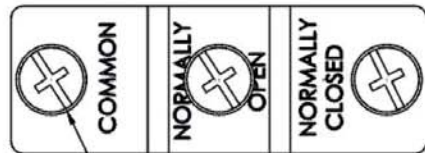
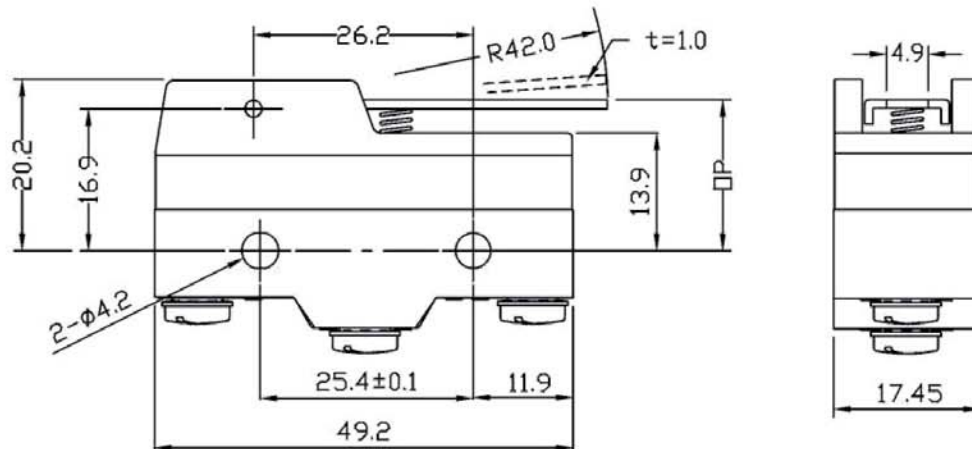


CHARACTERISTICS		Rating	15A 125VAC or 250VAC
Contact resistance	15mΩ max. (initial)	Terminal	SCREW
Insulation resistance	100MΩ min. (at 500 VDC)	Item No.	
Dielectric strength	1,000 VAC,50/60Hz for 1 minute between	OF max.	90g
Mechanically service life	1,000,000 operations min.	RF min.	18g
Electrically service life	100,000 operations min.	PT max.	7.0mm
		OT min.	3.5mm
		MD max.	1mm
		FP max.	25.2mm
		OP	19±0.8mm



3-M4X5.0  
Terminal Screw  
with toothed lock washer

**RoHS Compliant**

TOLERANCES ARE

**MORETHANALL**  
PCB CONNECTORS  
Cable ASSEMBLIES

DRAWING BY CY

CHECKED BY GENIUS

UNIT / mm SCALE 1 : 1

DATE

SIZE A4

X, ±  
.X, ±  
.XX, ±  
.XXX, ±  
ANG, ±

P PROJECTION

照片框

**ORDER INFORMATION**

MISW-SM4-090-LF

SERIES LEADFREE

90g  
SCREW M4

煜倫股份有限公司

www.morethanall.com

DESCRIPTION: