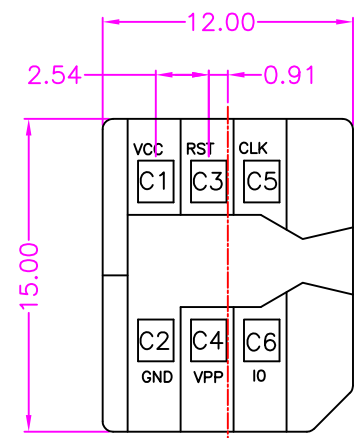


P.C.B LAYOUT  
TOP VIEW ±0.05



MICRO SIM

**MATERIALS**  
 HOUSING: LCP (UL 94V-0), BLACK  
 SHELL: SUS  
 TERMINAL: COPPER ALLOY, GOLD PLATED

**SPECIFICATION**  
 CURRENT RATING: 0.5 AMP MAX  
 DIELECTRIC WITHSTANDING: 500V AC FOR ONE MINUTE  
 CONTACT RESISTANCE: 100m OHMS MAX  
 INSULATION RESISTANCE: 1000M OHMS MIN AT DC 500V  
 OPERATION TEMPERATURE: -40°C~+85°C

MICRO SIM CARD	
PIN NO.	DESCRIPTION
P1	VCC
P2	GND
P3	RST
P4	VPP
P5	CLK
P6	I/O



煜倫股份有限公司

www.morethanall.com

RoHS Compliant

DRAWING BY CY  
 CHECKED BY GENIUS  
 UNIT / mm SCALE 1 : 1  
 DATE

TOLERANCES ARE  
 X. ± 0.40  
 .X ± 0.30  
 .XX ± 0.20  
 .XXX ± 0.10  
 ANG ±

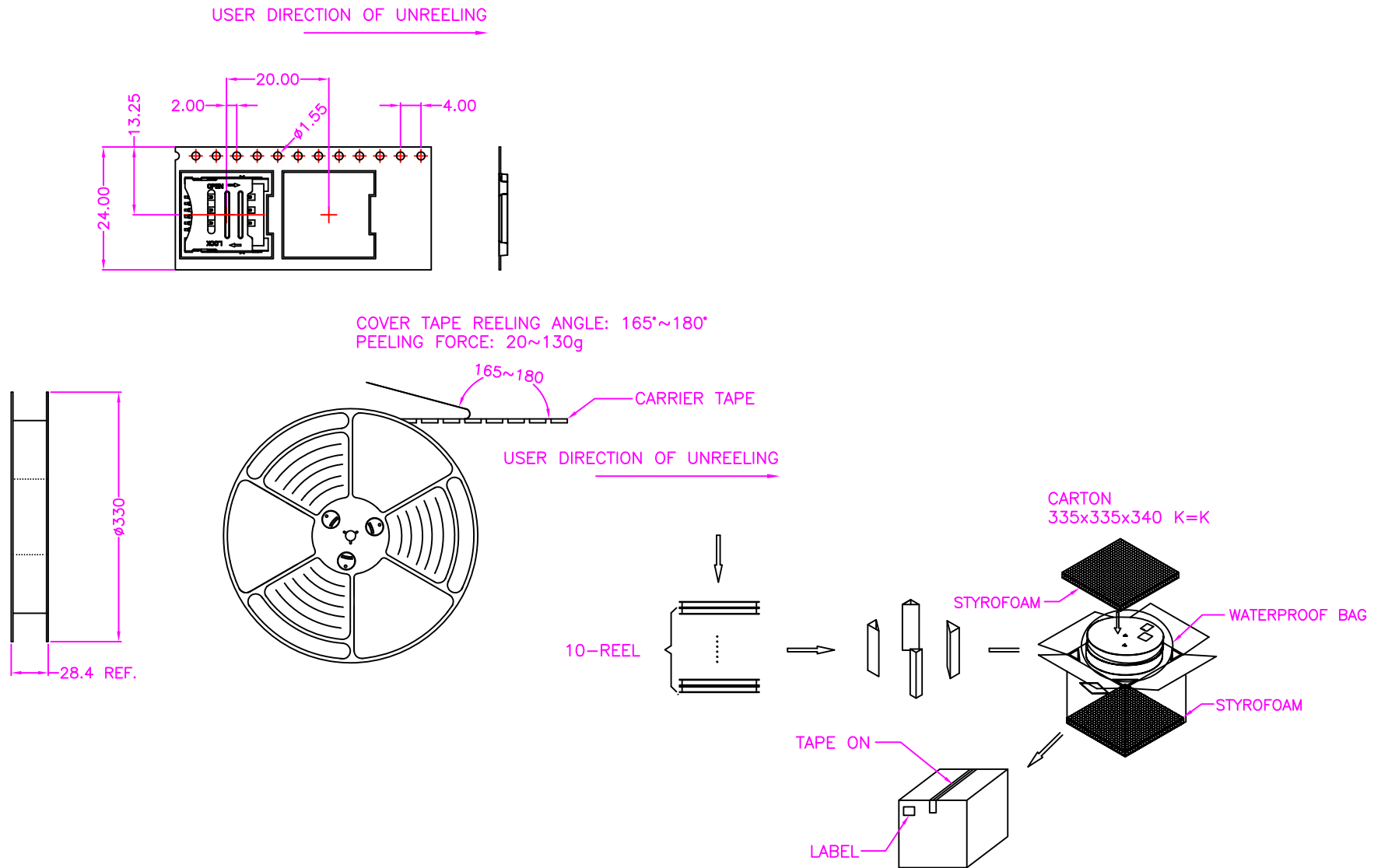
照片框

SIZE A4 PPROJECTION

ORDER INFORMATION

MISCV-W14EA18XR-06-LF  
 SERIES | | | | | LEADFREE  
 06 WAY  
 REEL  
 NON POST  
 HIGH 1.8mm  
 SINGLE EAR  
 90°SMT  
 PAD TO PAD 14.9mm

DESCRIPTION: MICRO SIM CARD, 6 PIN, PCB MOUNT, SMT, METAL SHIELD HINGE TYPE, FEMALE



NOTE: 1200PCS/REEL, 12000PCS, 10 REEL/CARTON

RoHS Compliant

TOLERANCES ARE

**MORETHANALL**  
PCB CONNECTORS  
Cable ASSEMBLIES

DRAWING BY CY

X. ± 0.40

CHECKED BY GENIUS

.X ± 0.30

UNIT / mm

SCALE 1 : 1

.XX ± 0.20

.XXX ± 0.10

DATE

ANG ±

照片框

ORDER INFORMATION

MISCV-W14EA18XR-06-LF

SERIES

|

|

|

|

|

|

|

|

|

|

|

|

|

|

|

|

|

|

|

|

|

|

|

|

|

煜倫股份有限公司

www.morethanall.com

SIZE A4

PJECTION

90°SMT  
PAD TO PAD 14.9mm

REEL  
NON POST  
HIGH 1.8mm  
SINGLE EAR

LEADFREE

06 WAY

DESCRIPTION: MICRO SIM CARD, 6 PIN, PCB MOUNT, SMT, METAL SHIELD HINGE TYPE, FEMALE