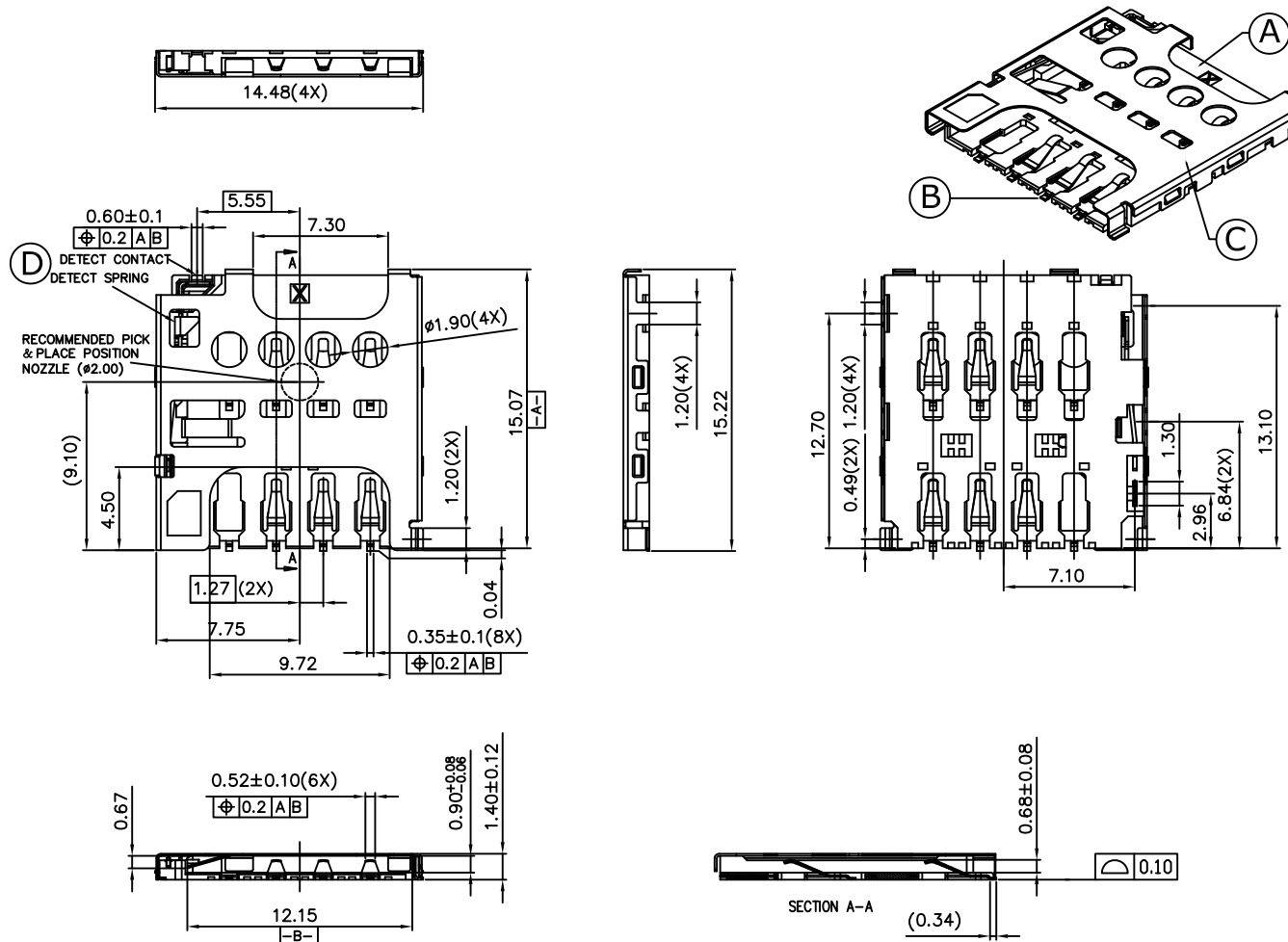


SWITCH CIRCUIT

MATERIAL AND FINISH AS BELOW

WHEN CARD IS EJECTED	WHEN CARD IS INSERTED	A	Housing	LCP UL94V-0, Color:Black	D	Switch	Brass C2680, Contact Area: 5u" Gold
CLOSE	OPEN	B	Contact	Phosphor Bronze C5210, Contact Area: 15u" Gold Solder Tail:Gold Flash	E		Solder Tail:Gold Flash
		C	Shell	Stainless Steel, Solder Tail:Tin Plated	F		



SPECIFICATION:

1. ELECTRICAL

- 1.1 Current Rating: 0.5A
- 1.2 Voltage Rating: 10VDC
- 1.3 Contact Resistance: 100mΩ Max
- 1.4 Insulation Resistance: 1000MΩ
- 1.5 Dielectric Withstanding Voltage: 500VAC for 1 minute

2. MECHANICAL

- 2.1 Durability: 500 Cycle
- 2.2 Contact Normal Force : 0.3N~0.35N
- 2.3 Insert Force: 10N
- 2.4 Withdrawal Force: 0.5N

3. ENVIRONMENTAL

- 3.1 Operating temperature range: -40°C to +85°C
- 3.2 Storage temperature range: -40°C to +85°C

4. SOLDER ABILITY

- 4.1 Recommended IR Reflow Temperature: 260°C 10Sec

Vcc	RST	CLK	NA	GND	Vpp	I/O	NA
C1	C2	C3	C4	C5	C6	C7	C8
PIN ASSIGNMENT							

RoHS Compliant

TOLERANCES ARE



煜倫股份有限公司

www.morethanall.com

DRAWING BY CY

CHECKED BY GENIUS

UNIT / mm SCALE 1 : 1

DATE

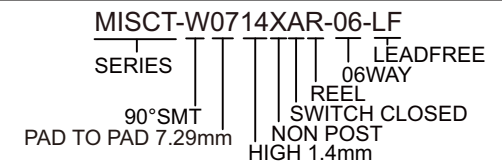
SIZE A4

X. ± 0.30
 .X ± 0.25
 .XX ± 0.20
 .XXX ±
 ANG ± 5°

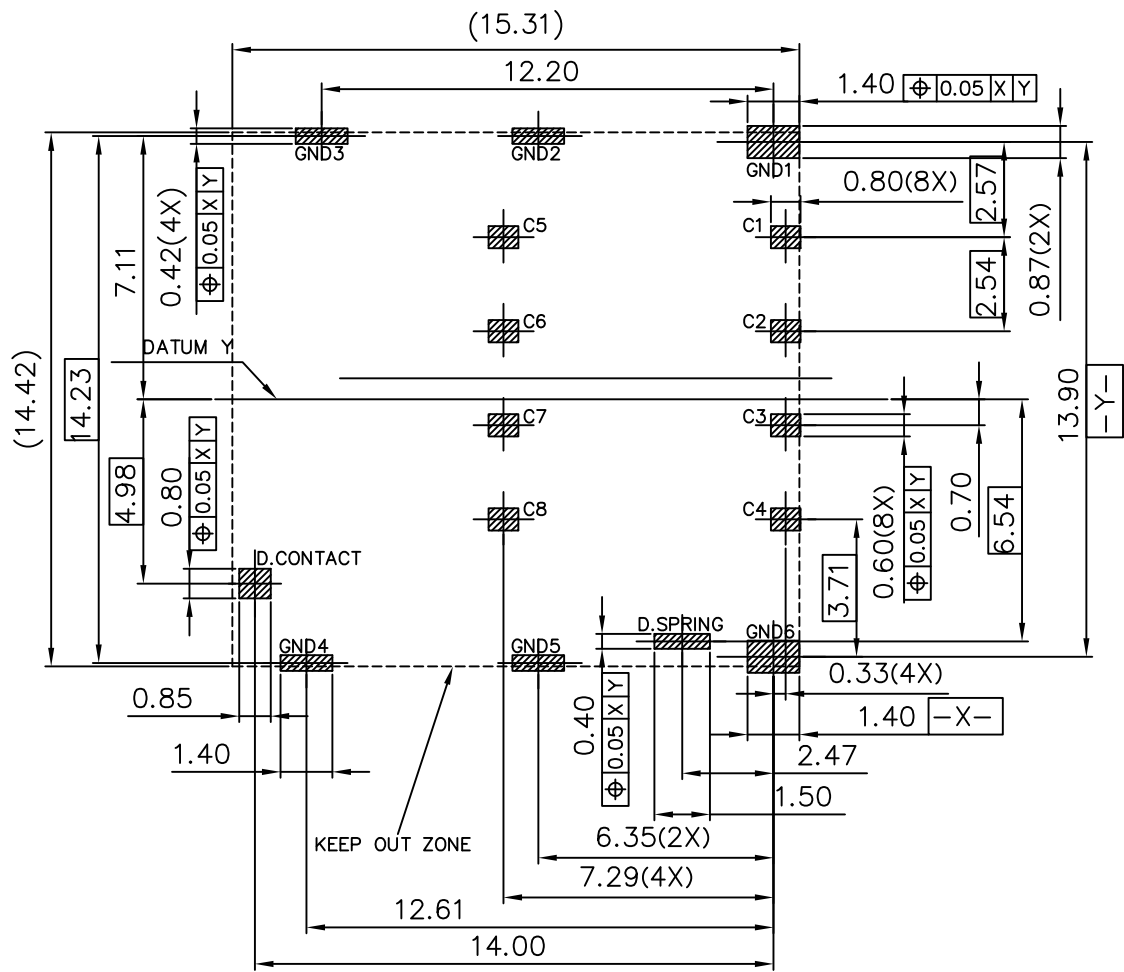
PJECTION

照片框

ORDER INFORMATION



DESCRIPTION: Micro SIM Card Socket with Detect Pin SMD Type Height 1.4mm



RECOMMENDED P.C.B LAYOUT
ALL TOLERANCE ±0.05mm

RoHS Compliant

TOLERANCES ARE

MORETHANALL
PCB CONNECTORS
Cable ASSEMBLIES

DRAWING BY CY

X. ± 0.30

CHECKED BY GENIUS

.X ± 0.25

UNIT / mm

SCALE 1 : 1

.XX ± 0.20

DATE

.XXX ±

ANG ± 5°

煜倫股份有限公司

www.morethanall.com

SIZE A4

PJECTION

照片框

ORDER INFORMATION

MISCT-W0714XAR-06-LF

SERIES

LEADFREE

06WAY

REEL

SWITCH CLOSED

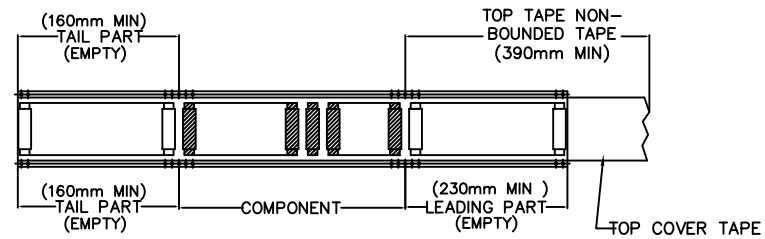
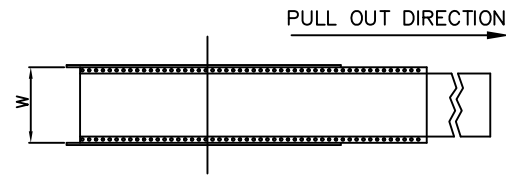
90°SMT

NON POST

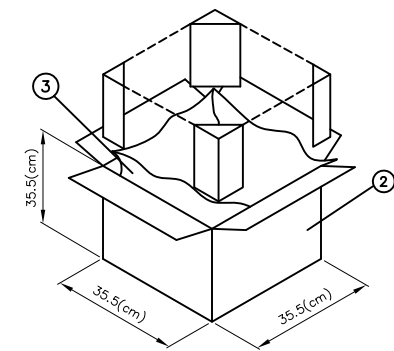
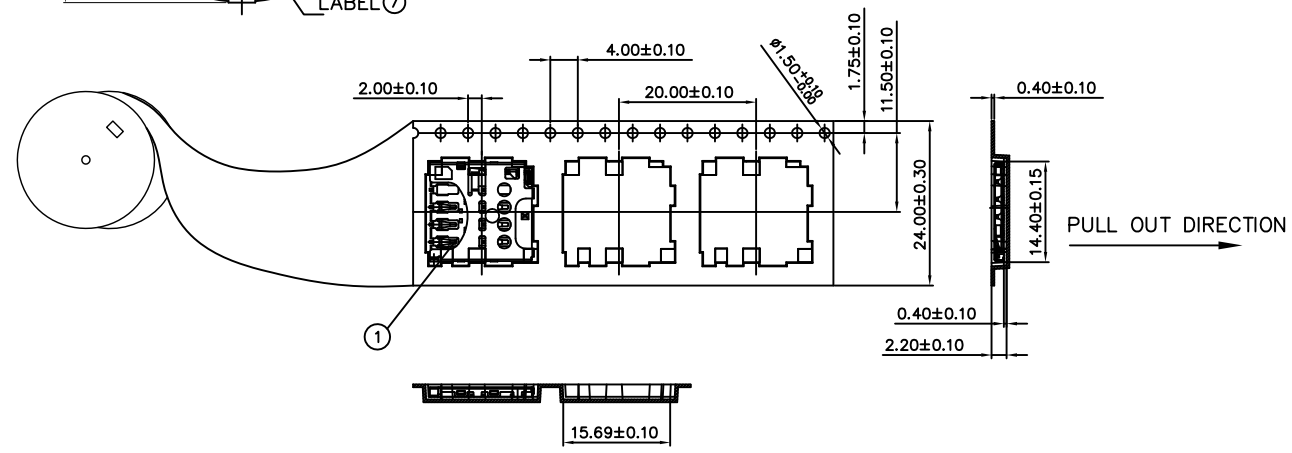
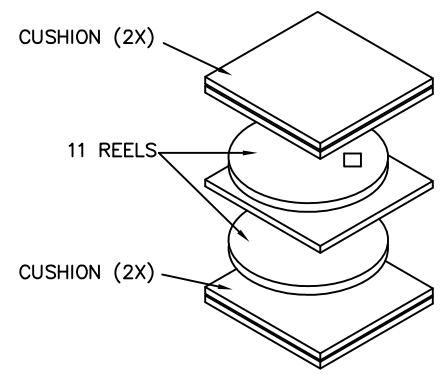
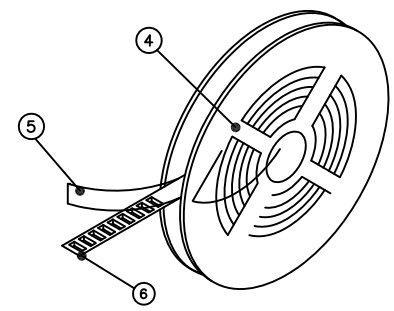
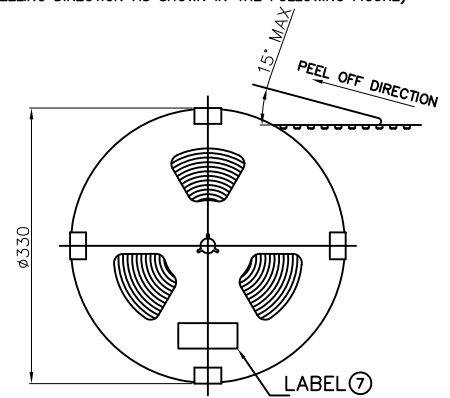
HIGH 1.4mm

PAD TO PAD 7.29mm

DESCRIPTION:



NOTES:
PEELING OFF FORCE OF THE TOP TAPE: 20-100gf
(PEELING DIRECTION AS SHOWN IN THE FOLLOWING FIGURE)



ITEM	PARTS NAME	FINISH/REMARK
1	I/O CONNECTOR	13200 PCS/BOX(REFERENCE)
2	BOX	11 REEL/BOX
3	WATERPROOF BAG	1 PCS
4	REEL	--
5	TOP COVER TAPE	(COLOR: TRANSPARENT)
6	CARRIER TAPE	1200 PCS/REEL(REFERENCE)
7	LABEL	

RoHS Compliant

TOLERANCES ARE

MORETHANALL
PCB CONNECTORS
Cable ASSEMBLIES

DRAWING BY CY

X. ± 0.30

CHECKED BY GENIUS

.X ± 0.25

UNIT / mm

SCALE 1 : 1

.XX ± 0.20

DATE

.XXX ±

ANG ± 5°

煜倫股份有限公司

www.morethanall.com

SIZE A4

PJECTION

照片框

ORDER INFORMATION

MISCT-W0714XAR-06-LF

SERIES | | | | | LEADFREE

90°SMT | | | | | REEL

PAD TO PAD 7.29mm | | | | | SWITCH CLOSED

NON POST | | | | | HIGH 1.4mm

DESCRIPTION: