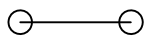
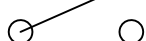
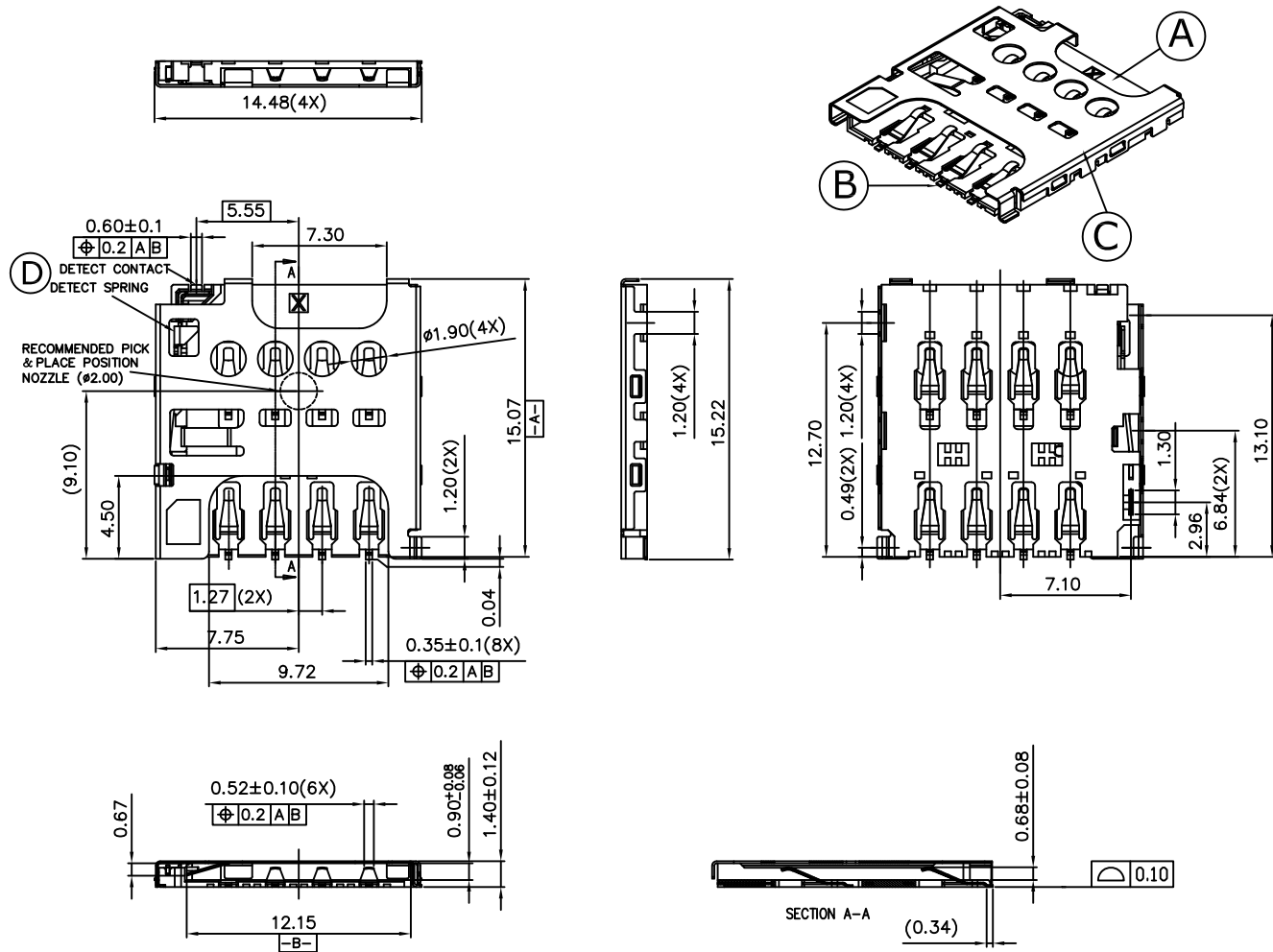


SWITCH CIRCUIT

MATERIAL AND FINISH AS BELOW

WHEN CARD IS EJECTED	WHEN CARD IS INSERTED	A	Housing	LCP UL94V-0, Color:Black	D	Switch	Brass C2680, Contact Area: 5u" Gold
CLOSE	OPEN	B	Contact	Phosphor Bronze C5210, Contact Area: 15u" Gold	E		Solder Tail:Gold Flash
		C	Shell	Stainless Steel, Solder Tail: Tin Plated	F		



SPECIFICATION:

1. ELECTRICAL

- 1.1 Current Rating: 0.5A
- 1.2 Voltage Rating: 10VDC
- 1.3 Contact Resistance: 100mΩ Max
- 1.4 Insulation Resistance: 1000MΩ
- 1.5 Dielectric Withstanding Voltage: 500VAC for 1 minute

2. MECHANICAL

- 2.1 Durability: 500 Cycle
- 2.2 Contact Normal Force : 0.3N~0.35N
- 2.3 Insert Force: 10N
- 2.4 Withdrawal Force: 0.5N

3. ENVIRONMENTAL

- 3.1 Operating temperature range: -40°C to +85°C
- 3.2 Storage temperature range: -40°C to +85°C

4. SOLDER ABILITY

- 4.1 Recommended IR Reflow Temperature: 260°C 10Sec

Vcc	RST	CLK	NA	GND	Vpp	I/O	NA
C1	C2	C3	C4	C5	C6	C7	C8
PIN ASSIGNMENT							

RoHS Compliant

TOLERANCES ARE

**MORETHANALL**  
PCB CONNECTORS  
Cable ASSEMBLIES

DRAWING BY CY X, ± 0.30  
CHECKED BY GENIUS .X, ± 0.25  
UNIT / mm SCALE 1 : 1 .XX, ± 0.20  
DATE .XXX ±  
SIZE A4 PPROJECTION ANG ± 5°

照片框

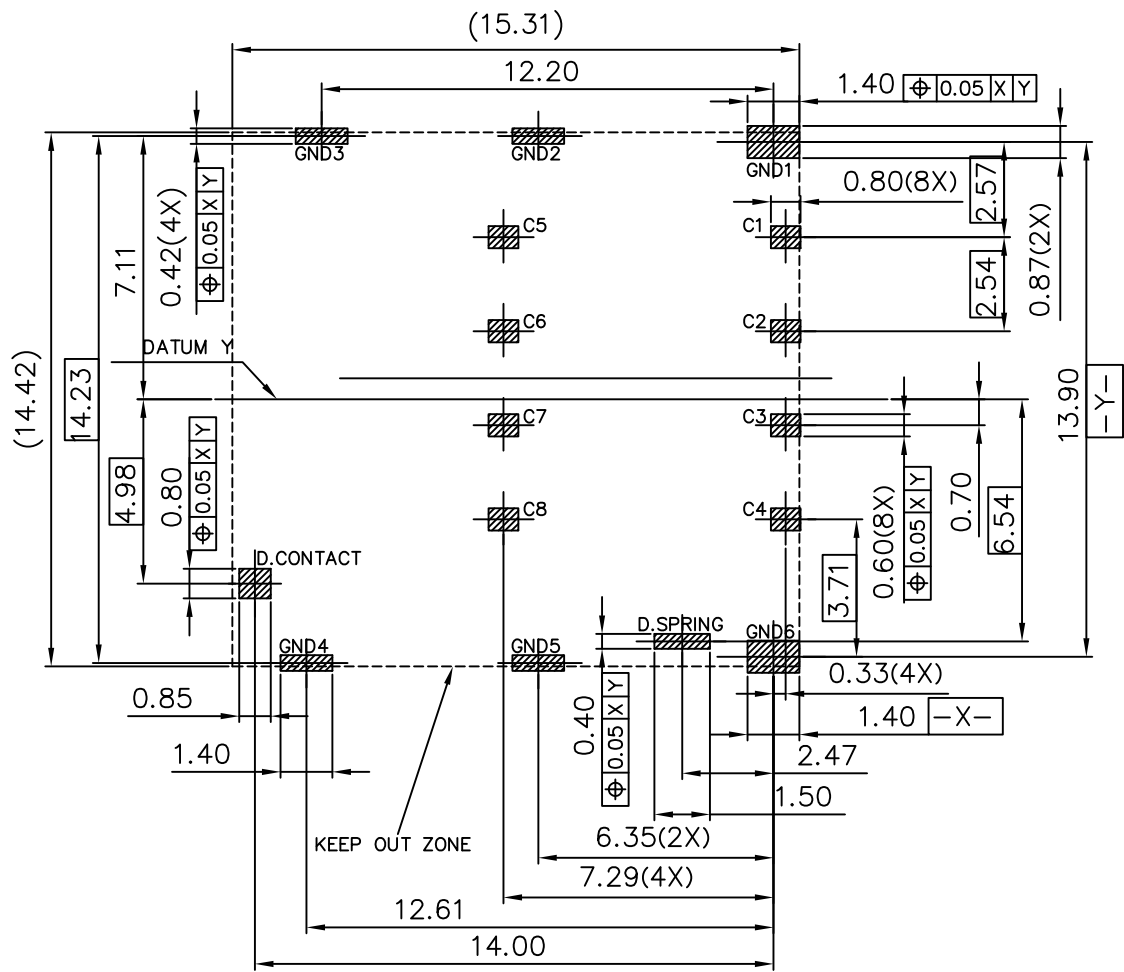
ORDER INFORMATION

MISCT-W0714XA-08-LF  
SERIES | | | | LEADFREE  
90°SMT | | | | 08WAY  
NON POST | | | | SWITCH CLOSED  
HIGH 1.4mm | | | |  
PAD TO PAD 7.29mm

DESCRIPTION: Micro SIM Card Socket with Detect Pin SMD Type Height 1.4mm

煜倫股份有限公司

www.morethanall.com



RECOMMENDED P.C.B LAYOUT  
ALL TOLERANCE  $\pm 0.05\text{mm}$

RoHS Compliant

TOLERANCES ARE

**MORETHANALL**  
PCB CONNECTORS  
Cable ASSEMBLIES

DRAWING BY CY

X.  $\pm 0.30$

CHECKED BY GENIUS

.X  $\pm 0.25$

UNIT / mm

SCALE 1 : 1

.XX  $\pm 0.20$

DATE

.XXX  $\pm$

ANG  $\pm 5^\circ$

照片框

ORDER INFORMATION

MISCT-W0714XA-08-LF

SERIES

90°SMT

LEADFREE  
08WAY  
SWITCH CLOSED  
NON POST  
HIGH 1.4mm  
PAD TO PAD 7.29mm

煜倫股份有限公司

www.morethanall.com

SIZE A4

PJECTION

DESCRIPTION: