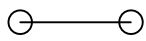
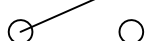
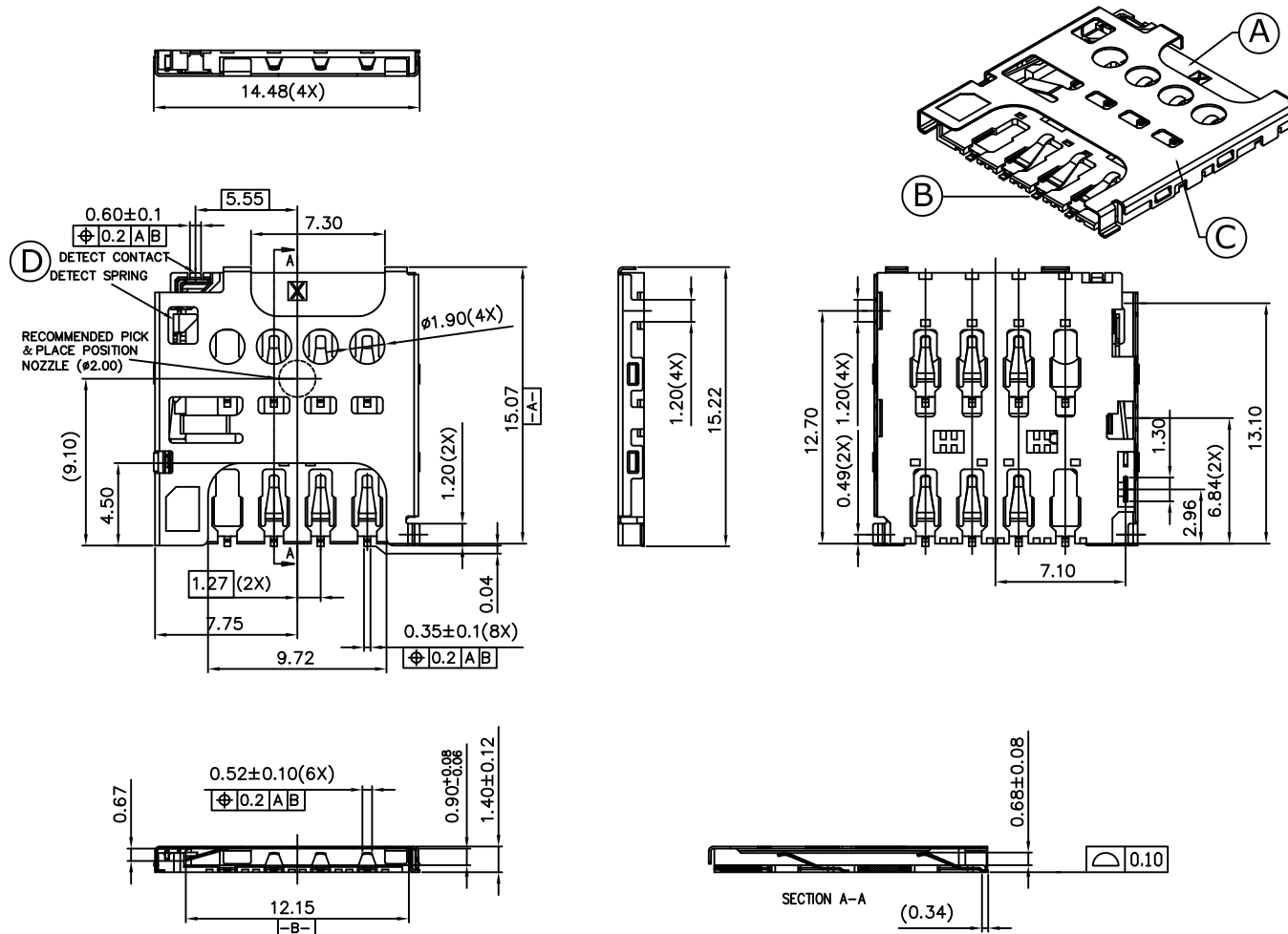


SWITCH CIRCUIT

MATERIAL AND FINISH AS BELOW

| | | | | | | | |
|--------------------------------------------------------------------------------------------|-------------------------------------------------------------------------------------------|---|---------|--------------------------------------------------------------------------|---|--------|---------------------------------------------------------------|
| WHEN CARD IS EJECTED | WHEN CARD IS INSERTED | A | Housing | LCP UL94V-0, Color:Black | D | Switch | Brass C2680, Contact Area: 5u" Gold Solder Tail:Gold Flash |
| CLOSE  | OPEN  | B | Contact | Phosphor Bronze C5210, Contact Area: 15u" Gold Solder Tail:Gold Flash | E | | |
| | | C | Shell | Stainless Steel, Solder Tail:Tin Plated | F | | |



SPECIFICATION:

1. ELECTRICAL

- 1.1 Current Rating: 0.5A
- 1.2 Voltage Rating: 10VDC
- 1.3 Contact Resistance: 100mΩ Max
- 1.4 Insulation Resistance: 1000MΩ
- 1.5 Dielectric Withstanding Voltage: 500VAC for 1 minute

2. MECHANICAL

- 2.1 Durability: 500 Cycle
- 2.2 Contact Normal Force : 0.3N~0.35N
- 2.3 Insert Force: 10N
- 2.4 Withdrawal Force: 0.5N

3. ENVIRONMENTAL

- 3.1 Operating temperature range: -40°C to +85°C
- 3.2 Storage temperature range: -40°C to +85°C

4. SOLDER ABILITY

- 4.1 Recommended IR Reflow Temperature: 260°C 10Sec

| | | | | | | | |
|----------------|-----|-----|----|-----|-----|-----|----|
| Vcc | RST | CLK | NA | GND | Vpp | I/O | NA |
| C1 | C2 | C3 | C4 | C5 | C6 | C7 | C8 |
| PIN ASSIGNMENT | | | | | | | |

RoHS Compliant

TOLERANCES ARE

MORETHANALL
PCB CONNECTORS
Cable ASSEMBLIES

DRAWING BY CY X, ± 0.30
CHECKED BY GENIUS .X ± 0.25
UNIT / mm SCALE 1 : 1 .XX ± 0.20
DATE .XXX ±
SIZE A4 PPROJECTION ANG ± 5°

照片框

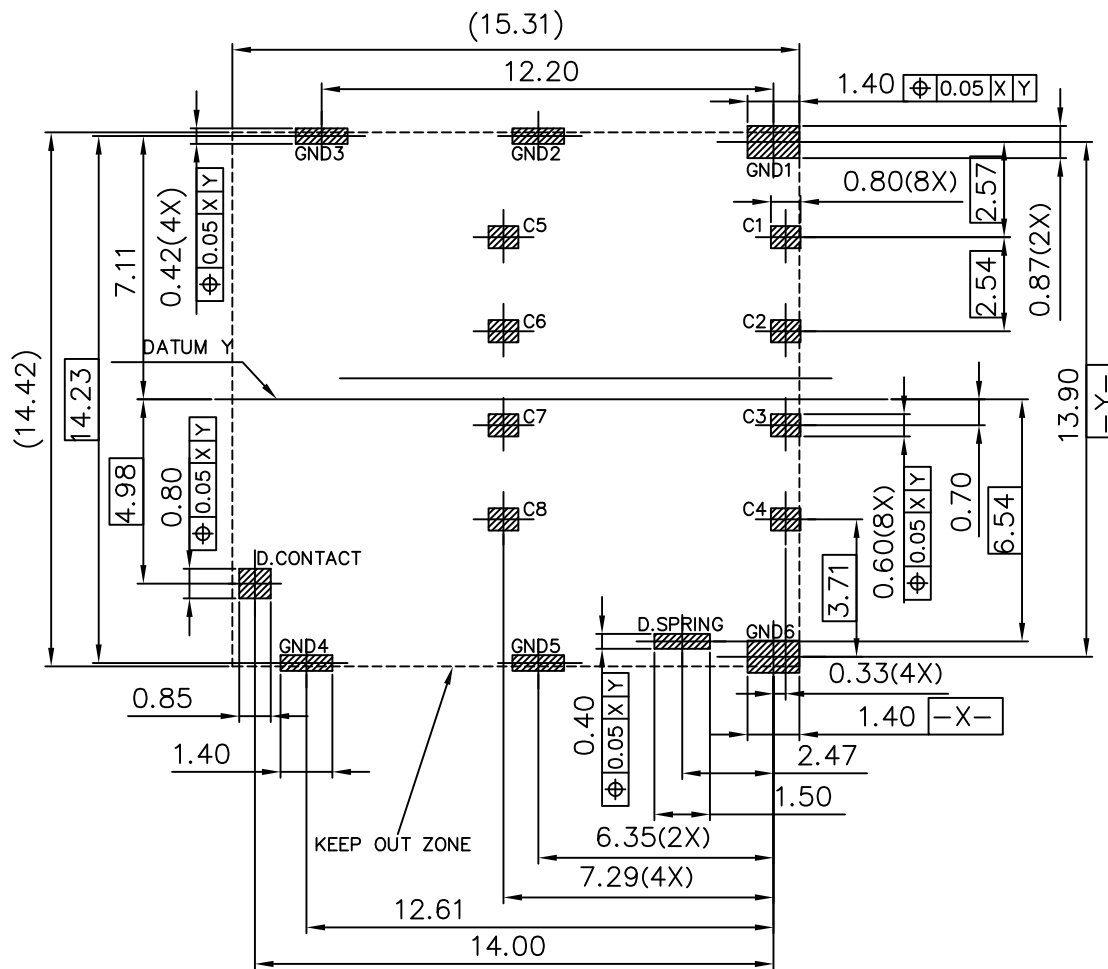
ORDER INFORMATION

MISCT-W0714XA-06-LF
SERIES | LEADFREE
90°SMT | 06WAY
NON POST | SWITCH CLOSED
HIGH 1.4mm
PAD TO PAD 7.29mm

DESCRIPTION: Micro SIM Card Socket with Detect Pin SMD Type Height 1.4mm

煜倫股份有限公司

www.morethanall.com



RECOMMENDED P.C.B LAYOUT
ALL TOLERANCE $\pm 0.05\text{mm}$

RoHS Compliant

TOLERANCES ARE

MORETHANALL
PCB CONNECTORS
Cable ASSEMBLIES

DRAWING BY CY

X. ± 0.30

CHECKED BY GENIUS

.X ± 0.25

UNIT / mm

SCALE 1 : 1

.XX ± 0.20

DATE

.XXX \pm

ANG $\pm 5^\circ$

照片框

ORDER INFORMATION

MISCT-W0714XA-06-LF

SERIES

90°SMT

LEADFREE

06WAY

SWITCH CLOSED

NON POST

HIGH 1.4mm

PAD TO PAD 7.29mm

煜倫股份有限公司

www.morethanall.com

SIZE A4

PJECTION

DESCRIPTION: