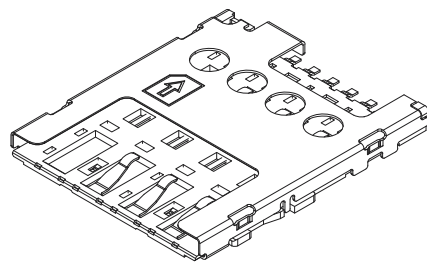
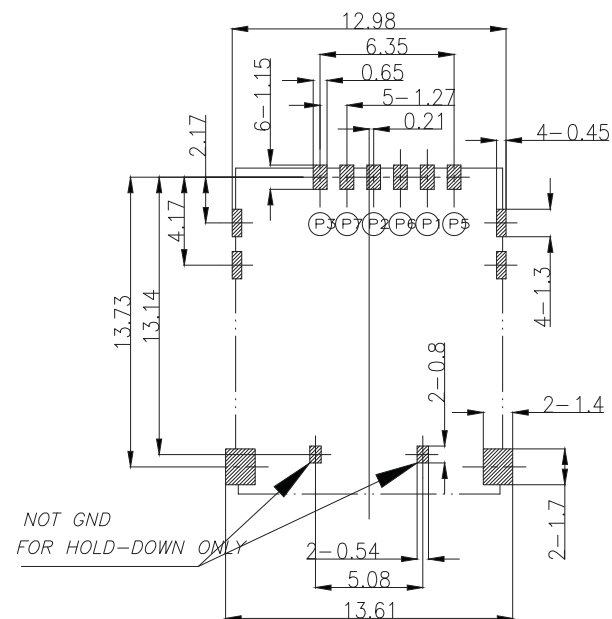


Pin1:VCC
Pin2:RST
Pin3:CLK
Pin4:Reserved
Pin5:GND
Pin6:VPP
Pin7:I/O
Pin8:Reserved



MICRO. SIM CARD

- NOTES:
- 1) MATERIAL
HOUSING: LCP UL 94V-0
CONTACT: C5210
SHELL: SUS304
 - 2) FINISH:
CONTACT: GOLD FLASH PLATED ON CONTACT AREA;
GOLD FLASH PLATING ON TAIL SOLDER,
WITH ENTIRE CONTACT UNDERPLATED NICKEL
SHELL: NICKEL UNDERPLATED OVERALL,
GOLD FLASH PLATED ON SOLDER TAILS
 - 3) ELECTRICAL SPECIFICATIONS:
CURRENT RATING: 0.5A.
VOLTAGE RATING: 5V.
CONTACT RESISTANCE: 50 MILL.OHM MAX.
INSULATION RESISTANCE: 1000 MEG.OHM MIN.
 - 4) MECHANICAL SPECIFICATIONS:
DURABILITY: 3000 CYCLES MIN.



RECOMMENDED PCB LAYOUT
TOLERANCE: ±0.05

RoHS Compliant

TOLERANCES ARE

MORETHANALL
PCB CONNECTORS
Cable ASSEMBLIES

DRAWING BY CY

CHECKED BY GENIUS

UNIT / mm

SCALE 1 : 1

DATE

SIZE A4

X, ±
.X ± 0.30
.XX ± 0.20
.XXX ± 0.10
ANG ± 2°

P PROJECTION

照片框

ORDER INFORMATION

MISCT-W0014XR-06-LF

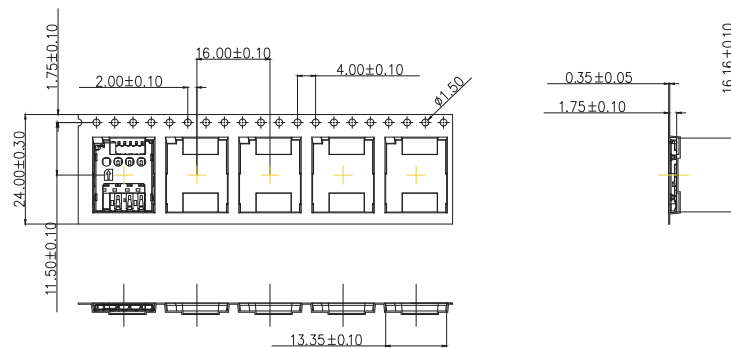
SERIES | REEL | LEADFREE
06WAY
NON POST
HIGH 1.45mm
90°SMT

煜倫股份有限公司

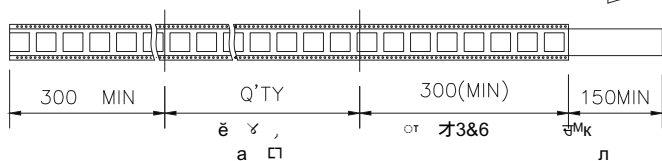
www.morethanall.com

DESCRIPTION:

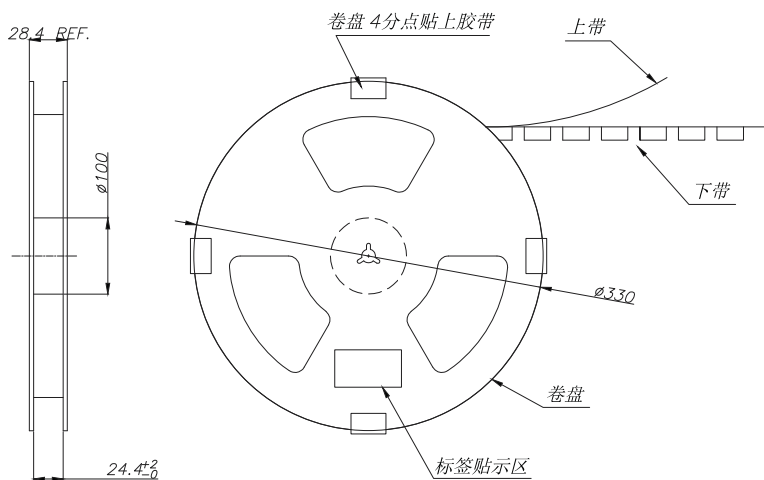
<图一>



放料方向



<图二>



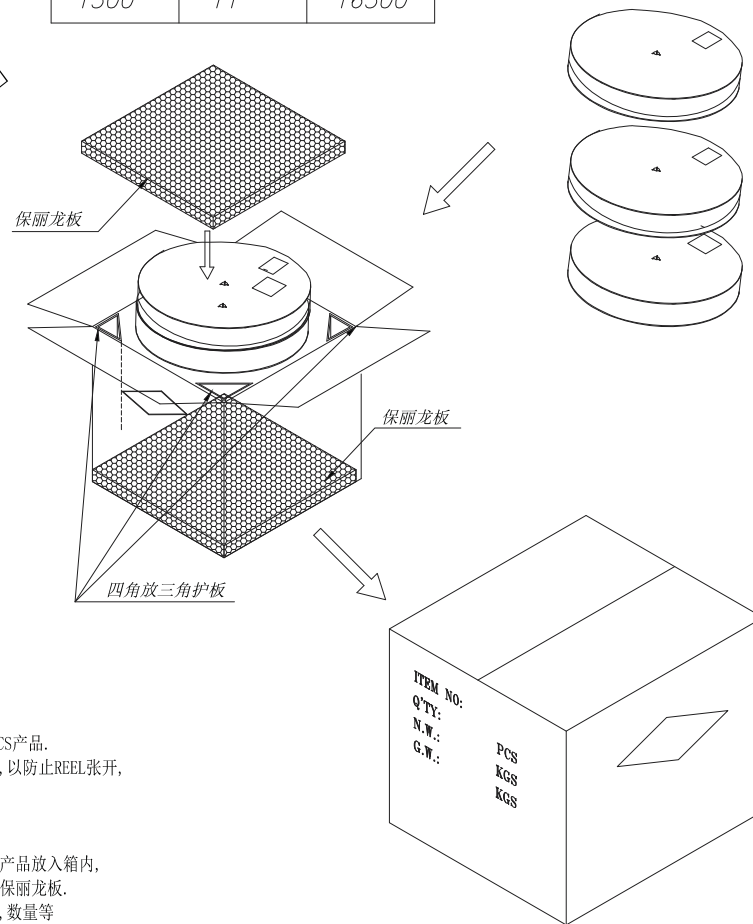
NOTE:

1. 依<图一>示放置产品于下载中, 每穴放置1PCS产品.
2. 包装机包好后, 在REEL的个等分点贴上胶带, 以防止REEL张开, 每REEL贴1PCS标签, 如<图二>示
3. 包装数量见如<表一>示
4. 包装成箱见如<图三>示
箱底放保丽龙板, 再依次将指定数量的卷装产品放入箱内, 四角分别放入四个三角护板, 最上层再放上保丽龙板.
5. 封箱, 在封好的纸箱上按客户要求写上料号, 数量等
6. 适用成品料号见如下<表二>

<表一>

包装数量		
PCS/卷	卷/箱	PCS/箱
1500	11	16500

<图三>



RoHS Compliant

TOLERANCES ARE

MORETHANALL
PCB CONNECTORS
Cable ASSEMBLIES

DRAWING BY CY

X, ±

CHECKED BY GENIUS

.X ± 0.30

UNIT / mm

SCALE 1 : 1

.XX ± 0.20

DATE

.XXX ± 0.10

ANG ± 2°

SIZE A4

PPOJECTION

照片框

ORDER INFORMATION

MISCT-W0014XR-06-LF

SERIES

LEADFREE

06WAY

REEL

NON POST

HIGH 1.45mm

90°SMT

煜倫股份有限公司

www.morethanall.com

DESCRIPTION: