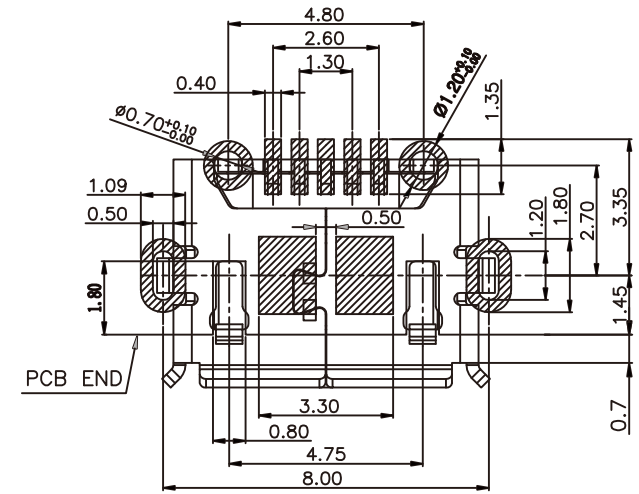
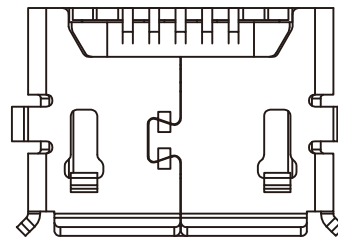
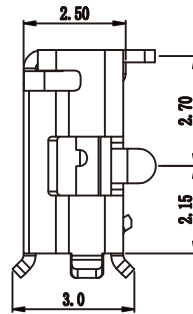
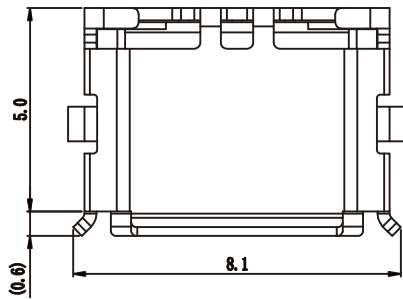
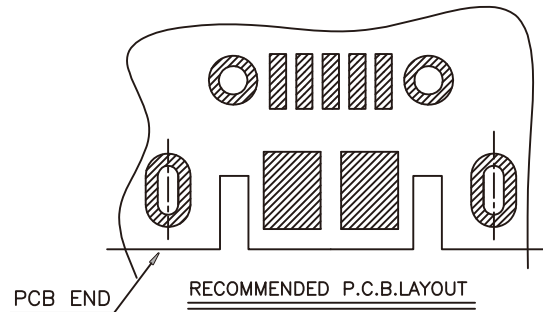
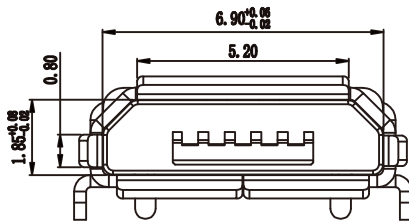


NOTE:
 1.Material:
 Housing:LCP
 Contact:Copper Alloy, T=0.20mm
 Shell:Stainless steel, T=0.30mm
 2.Finish:
 Contact>Contact area:Ni 80u"/Au *u" (See Note 5).
 Solder area:Ni 80u"/Au 1u" Min.
 The other area:Ni 50u" Min.
 SHELL: 20u"Min. Ni Plating all over.



RECOMMENDED P.C.B.LAYOUT
 (PCB TOLERANCE:±0.05)



RoHS Compliant

TOLERANCES ARE

MORETHANALL
 PCB CONNECTORS
 Cable ASSEMBLIES

DRAWING BY CY

CHECKED BY GENIUS

UNIT / mm SCALE 1 : 1

DATE

SIZE A4

X, ±
 .X ± 0.25
 .XX ± 0.20
 .XXX ±
 ANG ± 3°

PPOJECTION

照片框

ORDER INFORMATION

MISB-SWRVMM8048-5B-LF

SERIES | LEADFREE
 | 5 PIN B TYPE
 FEMALE | METAL FOOT / 2
 | REVERSED
 | 90°SMT

DESCRIPTION: Micro usb 5P/F B Type DIP 反向

煜倫股份有限公司

www.morethanall.com