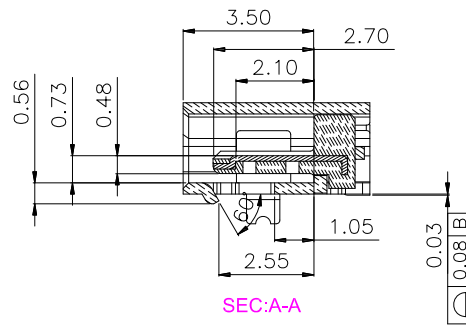
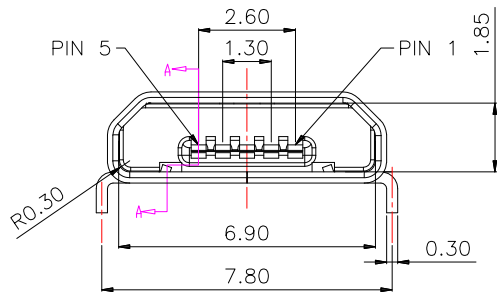
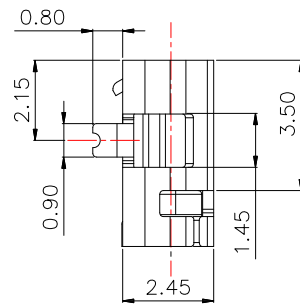
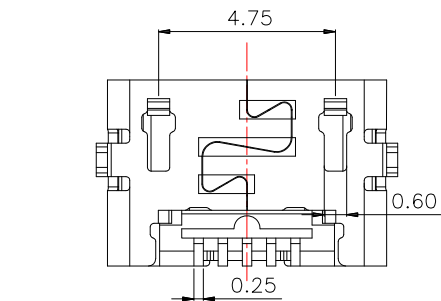


PCB LAYOUT MOUNTING PATTERN



SEC:A-A



SPECIFICATIONS

Electrical:

- 1.Current Rating: 1.0A
- 2.Contact Resistance: 30 mΩ Max
- 3.Dielectric Withstanding Voltage: 100 VAC / minute
- 4.Insulation Resistance: 1,000 MΩ Min @ 500 VDC

Mechanical:

- 1.Connector Mate and Unmate Force
Mate force: 35N(3.57kgf) Max
Unmate force: 8N(0.81 kgf) Min
- 2.Durability: 10,000 cycles Min
- 3.Contact retention force: 2.1N(0.21 kgf) Min

Material:

- 1.Shell: Stainless Steel
- 2.Contact: Phosphor Bronze
- 3.Housing: LCP,Black

Finish:

- 1.Contact: Plated Gold in Mating Area ; Gold Plated on Solder Balls ; Nickel under plated overall
- 2.Shell: Tin under Plated surface layer

RoHS Compliant

TOLERANCES ARE



煜倫股份有限公司

www.morethanall.com

DRAWING BY CY

CHECKED BY GENIUS

UNIT / mm

SCALE 1 : 1

DATE

SIZE A4

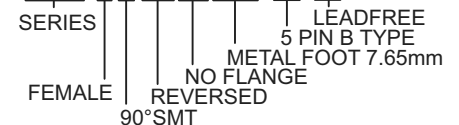
PPOJECTION

Up to 5 ±0.2
Above 5 ~ 30 ±0.3
Above 30 ~ 50 ±0.4
Above 50 ±0.5
Angle ±0.3°

照片框

ORDER INFORMATION

MISB-SWRVFXM76-5B-LF



DESCRIPTION: MICRO USB 5P/F B TYPE 反向平口