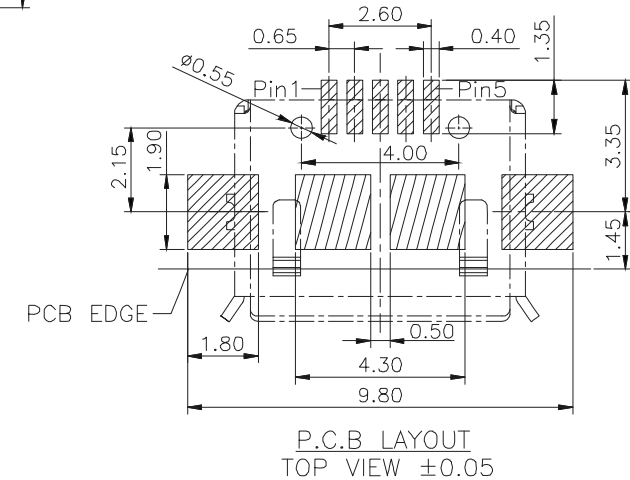


MATERIALS

HOUSING: LCP (UL 94V-0), COLOR:BLACK
 SHELL: COPPER ALLOY, TIN PLATED & NICKEL PLATED
 TERMINAL: COPPER ALLOY, GOLD PLATED OVER ALL

SPECIFICATION

CURRENT RATING: 1.8 AMP MAX (ONLY PIN 1, 5),
 OTHER 1 AMP MAX
 DIELECTRIC WITHSTANDING: 100V AC FOR ONE MINUTE
 CONTACT RESISTANCE: 30m OHMS MAX
 INSULATION RESISTANCE: 100M OHMS MIN AT DC 500V
 OPERATION TEMPERATURE: -25°C ~ +105°C



UNLESS OTHERWISE SPECIFIED, TOLERANCE ON DECIMAL: ±0.3

RoHS Compliant

TOLERANCES ARE



煜倫股份有限公司

www.morethanall.com

DRAWING BY CY

CHECKED BY GENIUS

UNIT / mm

SCALE 1 : 1

DATE

SIZE A4

X, ±
 X, ±
 .XX ±
 .XXX ±
 ANG ±

PJECTION

照片框

ORDER INFORMATION

MISB-SWP40-5B-LF

SERIES | LEADFREE
 | 5 PIN B TYPE
 | POST 4.0mm
 | 90°SMT
 | FEMALE

DESCRIPTION: MICRO USB B TYPE FEMALE SMT WITH POST