

Note:

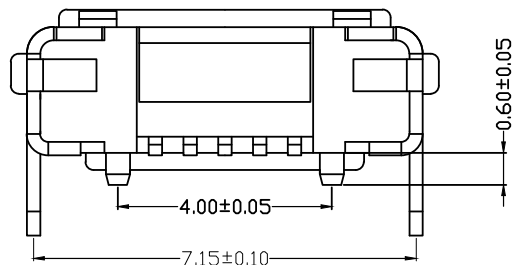
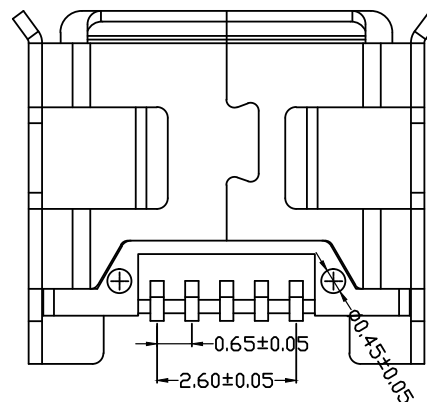
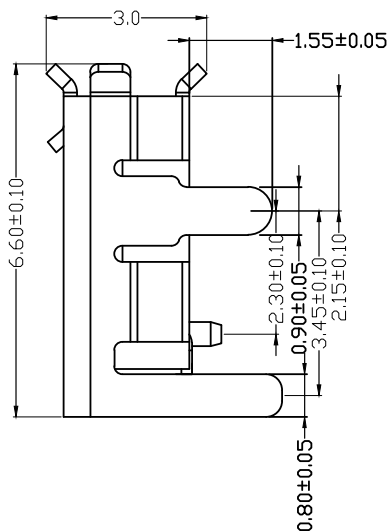
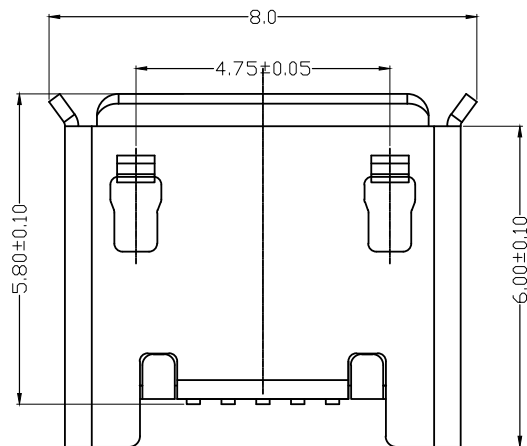
1. Material:

- 1.1 Housing: High temperature thermoplastic with g. f, UL94v-0
- 1.2 Contact: copper alloy, t=0.20mm
- 1.3 Shell: copper alloy, t=0.25mm

2. Specification:

- 2.1 Current rating: 1 A Max.
- 2.2 Dielectric withstanding voltage: 100 V(ac) for 1 min.
- 2.3 Contact resistance: 50 mW Max.
- 2.4 Insulation resistance: 100 MW Min.
- 2.5 Total mating force: 3.57 Kgf Max.
- 2.6 Total unmating force: 1.0 Kgf Min. 0.81~2.05 Kgf Min. after 5000 insertion/extraction cycles

### RECOMMENDED PCB LAYOUT



RoHS Compliant

TOLERANCES ARE

**MORETHANALL**  
PCB CONNECTORS  
Cable ASSEMBLIES

DRAWING BY CY

X. ± 0.50

CHECKED BY GENIUS

.X ± 0.20

UNIT / mm

SCALE 1 : 1

.XX ± 0.10

DATE

.XXX ± 0.03

ANG ±

SIZE A4

PJECTION

照片框

ORDER INFORMATION

MISB-SWMM7171P40-5B-LF  
SERIES | LEADFREE  
5 PIN B TYPE  
POST 4.0mm  
METAL FOOT 7.15mm+7.15mm  
90°SMT  
FEMALE

煜倫股份有限公司

www.morethanall.com

DESCRIPTION: