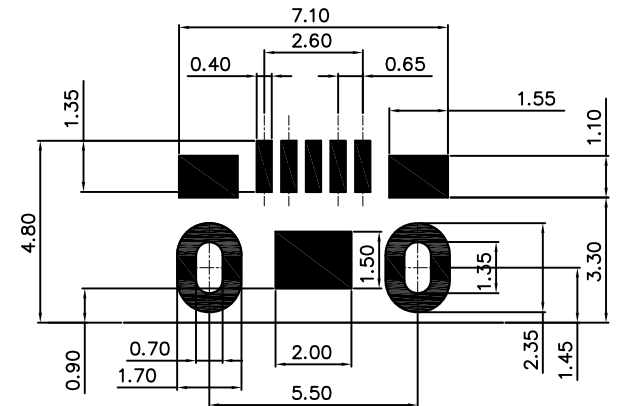


ITEM	PARTS NAME	Q'TY	MATERIAL	FINISH/REMARK
1	SHELL	1	STAINLESS	20u" NICKEL,100u" TIN
2	CONTACT	5	COPPER ALLOY	Gold flash Plating Over All 15u" Gold flash on Contact AREA
3	HOUSING	1	SYNTHETIC RESIN	(Black)



RECOMMENDED P.C.B. LAYOUT
TOLERANCE ±0.03mm)

SPECIFICATION

MATERIAL

See drawing

ENVIRONMENTAL:

Storage temperature : -40°C~+80°C

Operating temperature : -40°C~+85°C

STANDARD DATA

Rating current: 0.5A

ELECTRICAL

Insulator resistance: 1000M ohms Min. @ 500 VDC

Withstanding voltage: 100 VAC / minute

Contact resistance: 30 m ohms

MECHANICAL

Mating force: 35N(3.57kgf) Max.

Unmating force (Without lock): 8N(0.81kgf) Min.

Durability: 10000 cycles Min.

Contact retention force: 2.1N(0.21kgf) Min

RoHS Compliant

TOLERANCES ARE

MORETHANALL
PCB CONNECTORS
Cable ASSEMBLIES

煜倫股份有限公司

www.morethanall.com

DRAWING BY CY

CHECKED BY GENIUS

UNIT / mm SCALE 1 : 1

DATE

SIZE A4

X. ± 0.50

.X ± 0.30

.XX ± 0.20

.XXX ±

ANG ± 5°

PJECTION

照片框

ORDER INFORMATION

MISB-SWME5555R-5B-LF

SERIES LEADFREE

5 PIN B TYPE

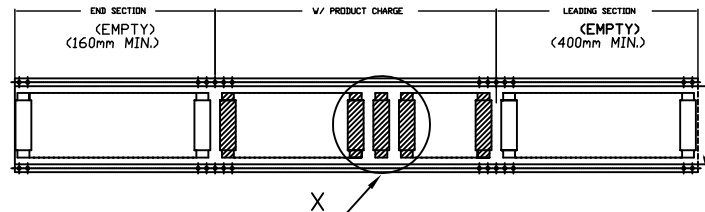
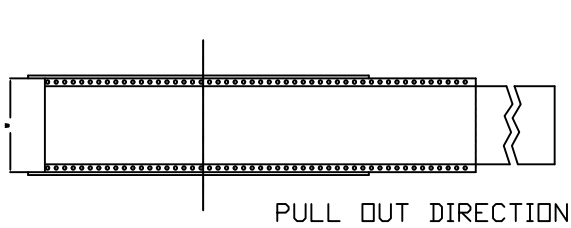
REEL

5.50+5.50mm

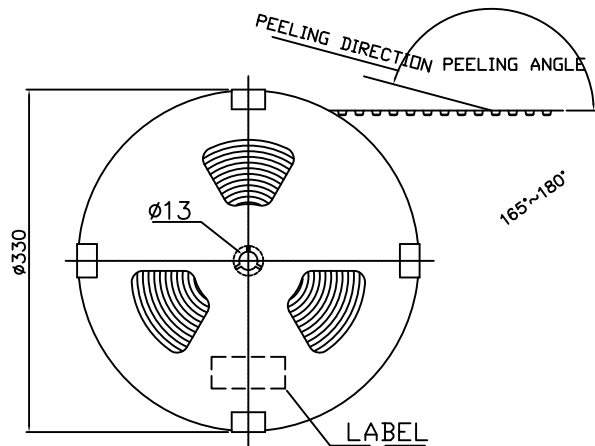
FEMALE 90°SMT

EAR METAL FOOT

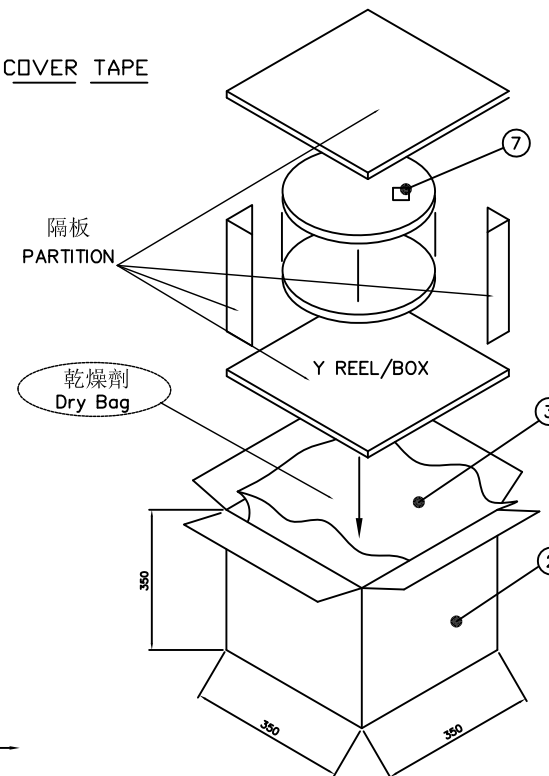
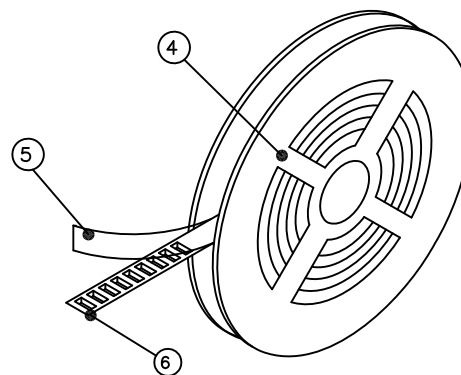
DESCRIPTION: I/O CONNECTOR(MICRO USB) <<NORMAL B-TYPE>>



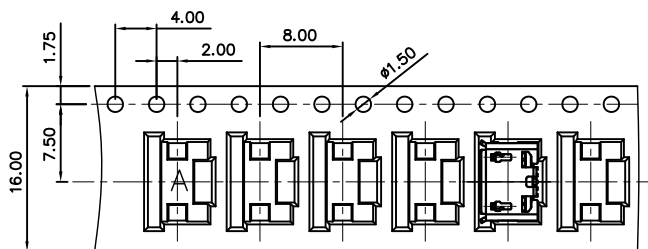
ITEM 項目	PARTS NAME 零件名稱	FINISH/REMARK 處理/備註
1	I/O CONNECTOR	14400 PCS/BOX
2	BOX	12PCS REEL/BOX
3	WATERPROOF BAG	1 PCS
4	REEL	--
5	COVER TAPE	Wide=11.3mm
6	CARRIER TAPE	1200PCS/REEL
7	LABEL	批號標籤



TOP COVER TAPE



收料方向
CATHER MATERIAL
DIRECTION



客戶放料方向
INPUT MATERIA
DIRECTION

- NOTES
- 1.MATERIAL: PS (透明白)
 - 2.DEFORMATION(變形)&DAMAGE(損壞): NA.(不可)
 - 3.All dimensions meet EIA-481-C requirements.

RoHS Compliant

TOLERANCES ARE

MORETHANALL
PCB CONNECTORS
Cable ASSEMBLIES
煜倫股份有限公司

DRAWING BY CY

X. ± 0.50

CHECKED BY GENIUS

.X ± 0.30

UNIT / mm

SCALE 1 : 1

.XXX ±

DATE

ANG ± 5°

SIZE A4

PJECTION

照片框

ORDER INFORMATION

MISB-SWME5555R-5B-LF
SERIES | | | | | LEADFREE
FEMALE 90°SMT | | | | | 5 PIN B TYPE
EAR METAL FOOT
5.50+5.50mm

DESCRIPTION: I/O CONNECTOR(MICRO USB) <<NORMAL B-TYPE>>

www.morethanall.com