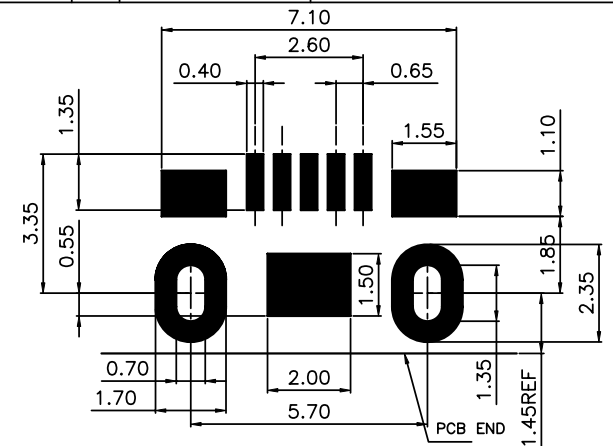
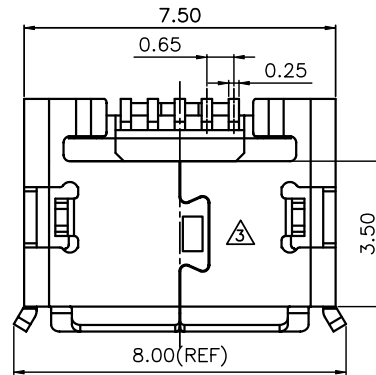
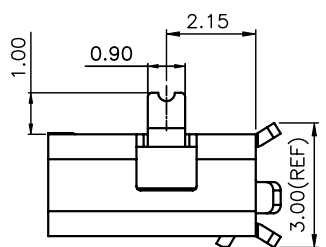
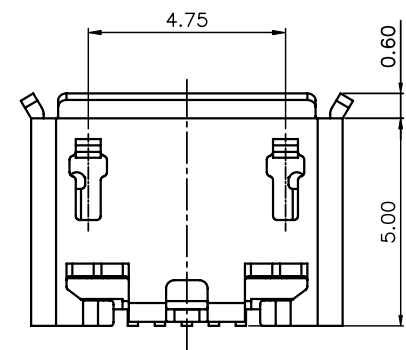
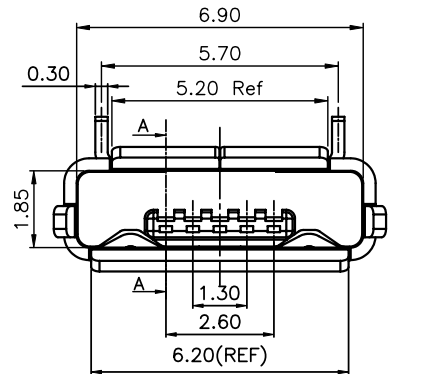
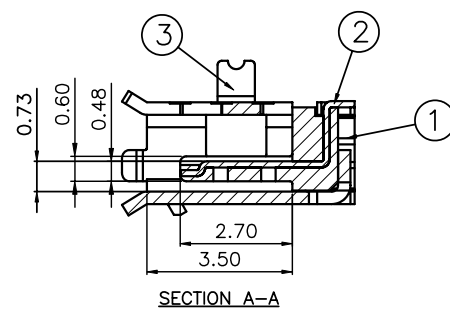


ITEM 項目	PARTS NAME 零件名稱	Q'TY 數量	MATERIAL 材質	FINISH/REMARK 處理/備註
1	HOUSING	1	SYNTHETIC RESIN	(Black)
2	CONTACT	5	COPPER ALLOY	Gold flash Plating Over All
3	SHELL	1	STAINLESS	20u" NICKEL,100u" TIN



RECOMMENDED P.C.B. LAYOUT
TOLERANCE ±0.03mm

SPECIFICATION
MATERIAL
See drawing
STANDARD DATA
Rating current:0.5A
ELECTRICAL
Insulator resistance: 1000M ohms Min. @ 500 VDC
Withstanding voltage: 100 VAC / minute
Contact resistance: 30 m ohms Max.
MECHANICAL
Mating force: 35N(3.57kgf) Max.
Unmating force : 8N(0.81kgf) Min.
Durability: 10000 cycles Min.
Contact retention force: 2.1N(0.21kgf) Min



RoHS Compliant

TOLERANCES ARE

MORETHANALL
PCB CONNECTORS
Cable ASSEMBLIES

煜倫股份有限公司

www.morethanall.com

DRAWING BY CY

CHECKED BY GENIUS

UNIT / mm SCALE 1 : 1

DATE

SIZE A4

X. ± 0.50

.X ± 0.30

.XX ± 0.20

.XXX ±

ANG ± 5°

PJECTION

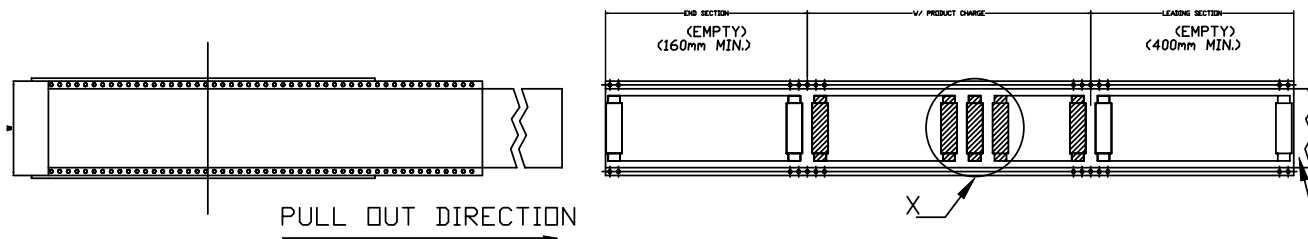
照片框

ORDER INFORMATION

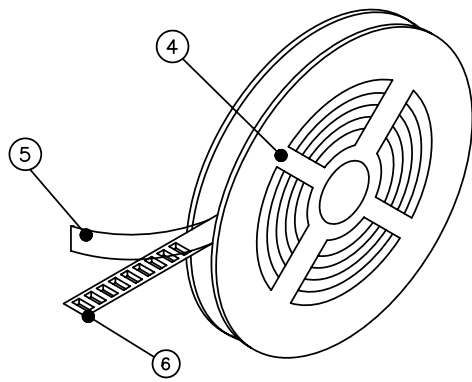
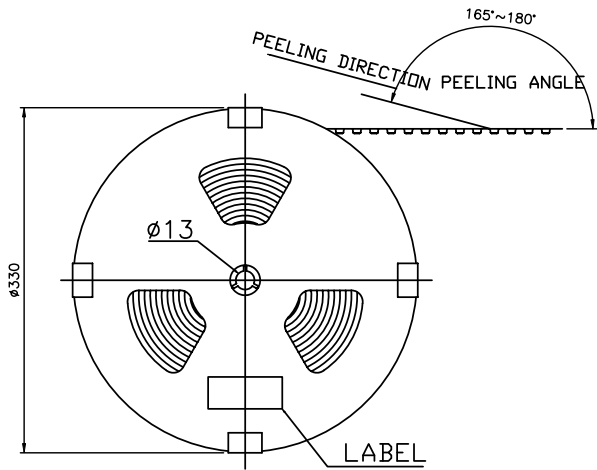
MISB-SWM57R-5AB-LF

SERIES | | | LEADFREE
5 PIN AB TYPE
REEL
METAL FOOT 5.7mm
90°SMT
FEMALE

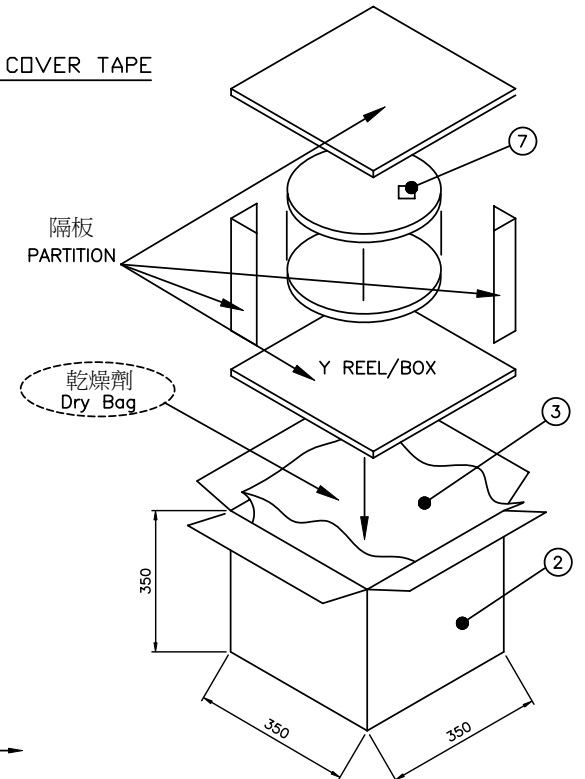
DESCRIPTION: I/O CONNECTOR(MICRO USB) NORMAL AB TYPE



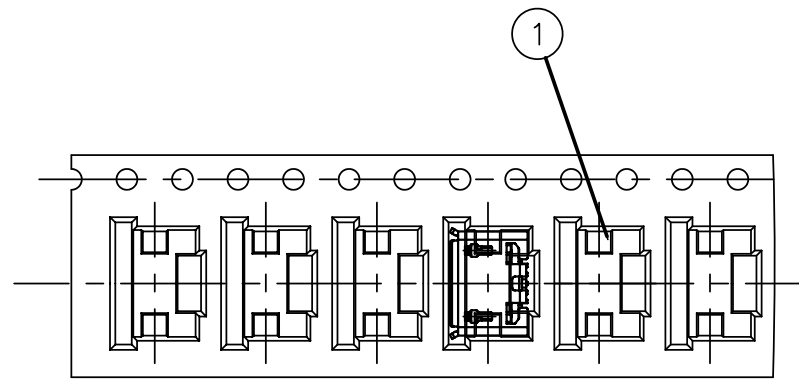
ITEM 項目	PARTS NAME 零件名稱	FINISH/REMARK 處理/備註
1	I/O CONNECTOR	14400 PCS/BOX
2	BOX	12PCS REEL/BOX
3	WATERPROOF BAG	1 PCS
4	REEL	--
5	COVER TAPE	Wide=11.3mm
6	CARRIER TAPE	1200PCS/REEL
7	LABEL	批號標籤



TOP COVER TAPE



收料方向
CATHETER MATERIAL
DIRECTION



客戶放料方向
INPUT MATERIA
DIRECTION

NOTES
1.MATERIAL: PS (透明白)
2.DEFORMATION(變形)&DAMAGE(損壞): NA.(不可)
3.All dimensions meet EIA-481-C requirements.

RoHS Compliant

TOLERANCES ARE

照片框

ORDER INFORMATION

MISB-SWM57R-5AB-LF
SERIES | LEADFREE
5 PIN AB TYPE
REEL
METAL FOOT 5.7mm
90°SMT
FEMALE

DESCRIPTION: I/O CONNECTOR (SMT TYPE)

MORETHANALL
PCB CONNECTORS
Cable ASSEMBLIES
煜倫股份有限公司
www.morethanall.com

DRAWING BY CY		X. ± 0.40
CHECKED BY GENIUS		.X ± 0.20
UNIT / mm	SCALE 1 : 1	.XX ± 0.10
DATE		.XXX ±
SIZE A4	PJECTION	ANG ± 2°