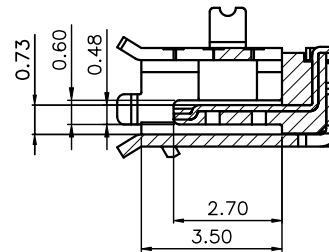
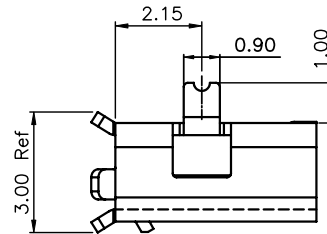
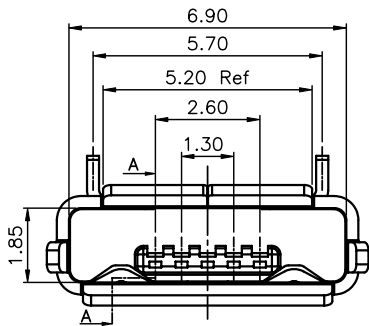
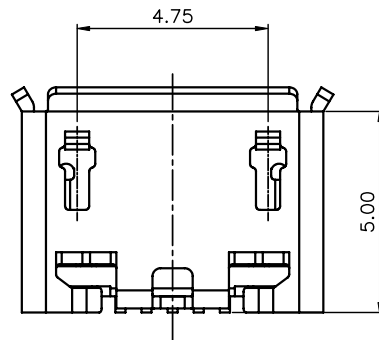


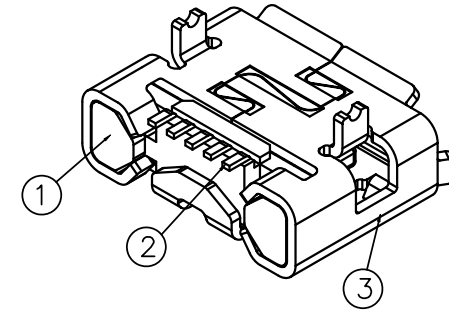
RECOMMENDED P.C.B. LAYOUT
TOLERANCE ±0.03mm



SECTION A-A



ITEM 項目	PARTS NAME 零件名稱	Q'TY 數量	MATERIAL 材質	FINISH/REMARK 處理/備註
1	HOUSING	1	SYNTHETIC RESIN	(Black)
2	CONTACT	5	COPPER ALLOY	Gold flash Plating Over All
3	SHELL	1	STAINLESS	5u" Gold flash on Contact AREA 20u" NICKEL, 100u" TIN



SPECIFICATION

MATERIAL

See drawing
STANDARD DATA
Rating current: 1.0A

ELECTRICAL

Insulator resistance: 1000M ohms Min. @ 500 VDC
Withstanding voltage: 100 VAC / minute
Contact resistance: 50 m ohms Max.

MECHANICAL

Mating force: 35N(3.57kgf) Max.
Unmating force : 8N(0.81kgf) Min.
Durability: 10000 cycles Min.
Contact retention force: 2.1N(0.21kgf) Min

RoHS Compliant

TOLERANCES ARE

MORETHANALL
PCB CONNECTORS
Cable ASSEMBLIES

DRAWING BY CY

X. ± 0.50

CHECKED BY GENIUS

.X ± 0.30

UNIT / mm

SCALE 1 : 1

.XXX ±

DATE

ANG ± 5°

SIZE A4

PJECTION

照片框

ORDER INFORMATION

MISB-SWM55-5AB-LF

SERIES

LEADFREE

5 PIN AB TYPE

METAL FOOT 5.5mm

90°SMT

FEMALE

煜倫股份有限公司

www.morethanall.com

DESCRIPTION: I/O CONNECTOR(MICRO USB) NORMAL AB TYPE