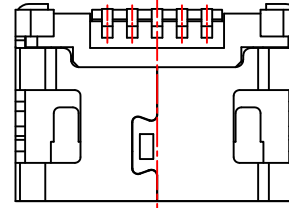
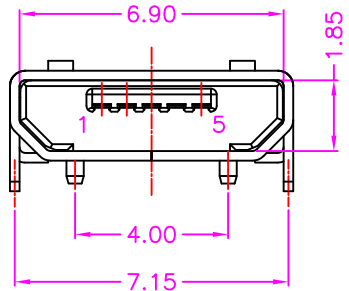
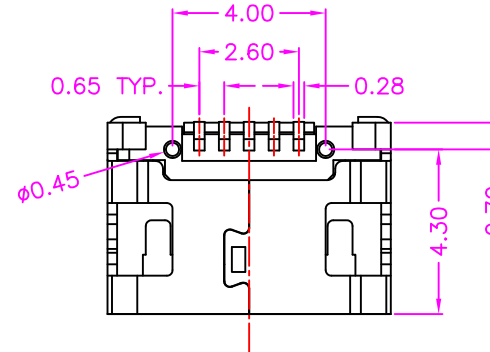
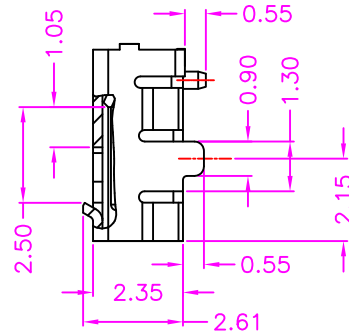
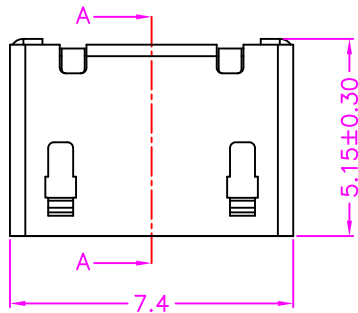


SECTION A-A



WITHOUT POST

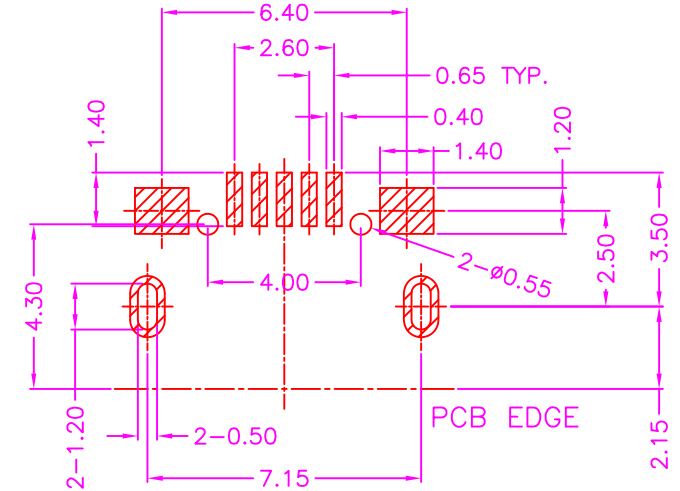


**MATERIALS**

HOUSING: HI-TEMP. PLASTIC (UL 94V-0), BLACK  
 SHELL: COPPER ALLOY OR STAINLESS STEEL, TIN PLATING  
 TERMINAL: COPPER ALLOY, GOLD PLATING

**SPECIFICATION**

CURRENT RATING: 1.8 AMP MAX (ONLY PIN 1, 5), OTHER 1 AMP MAX  
 DIELECTRIC WITHSTANDING: 100V AC FOR ONE MINUTE  
 CONTACT RESISTANCE: 30m OHMS MAX  
 INSULATION RESISTANCE: 100M OHMS MIN AT DC 500V  
 OPERATION TEMPERATURE: -40°C~+105°C



P.C.B LAYOUT  
 TOP VIEW ±0.05

**RoHS Compliant**

TOLERANCES ARE

**MORETHANALL**  
 PCB CONNECTORS  
 Cable ASSEMBLIES

DRAWING BY CY		X. ± 0.40
CHECKED BY GENIUS		.X ± 0.30
UNIT / mm	SCALE 1 : 1	.XX ± 0.20
DATE		.XXX ± 0.10
		ANG ±

照片框

**ORDER INFORMATION**

MISB-SWFXME7164P40-5B-LF  
 SERIES | LEADFREE  
 FEMALE | 5 PIN B TYPE  
 NON FLANGE | POST 4.0mm  
 90°SMT | METAL FOOT 7.15mm+EAR 6.40mm

煜倫股份有限公司

www.morethanall.com

SIZE A4 PPROJECTION

DESCRIPTION: MICRO USB B TYPE, PCB MOUNT, SMT, METAL SHIELD, WITH POST, FEMALE