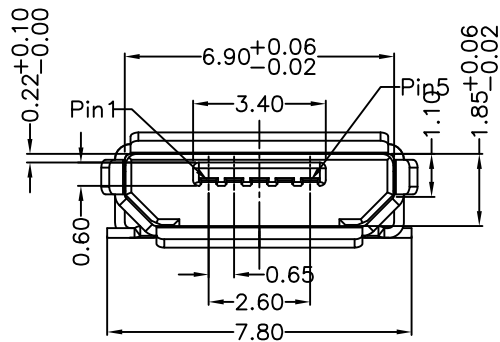


RECOMMENDED PCB LAYOUT



MATERIALS

HOUSING: HI-TEMP. PLASTIC (UL 94V-0)
 SHELL: COPPER ALLOY & STAINLESS STEEL,
 TIN PLATED & NICKEL PLATED & GOLD PLATED
 TERMINAL: COPPER ALLOY, GOLD PLATED OVER ALL

SPECIFICATION

CURRENT RATING: 1 AMP MAX
 DIELECTRIC WITHSTANDING: 100V AC FOR ONE MINUTE
 CONTACT RESISTANCE: 30m OHMS MAX
 INSULATION RESISTANCE: 100M OHMS MIN AT DC 500V
 OPERATION TEMPERATURE: -25°C~+105°C

NO.	APPLICATION	TYPICAL WIRING ASSIGNMENT
P1	VBUS	RED
P2	D-	WHITE
P3	D+	GREEN
P4	ID	RA_PLUG-ID
P5	GND	BLACK

RoHS Compliant

TOLERANCES ARE

MORETHANALL
 PCB CONNECTORS
 Cable ASSEMBLIES

煜倫股份有限公司

www.morethanall.com

DRAWING BY CY

CHECKED BY GENIUS

UNIT / mm SCALE 1 : 1

DATE

SIZE A4

X, ±
 .X ± 0.30
 .XX ± 0.20
 .XXX ± 0.10
 ANG ±

PJECTION

照片框

ORDER INFORMATION

MISB-SWEE8064-5B-LF

SERIES | LEADFREE
 5 PIN B TYPE
 8.0+6.4mm
 EAR
 90°SMT
 FEMALE

DESCRIPTION: MICRO USB B TYPE, PCB MOUNT, SMT, METAL SHIELD, FEMALE, WITHOUT POST