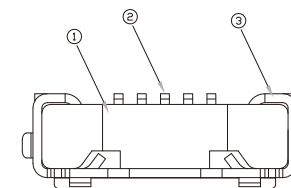


RECOMMENDED PCB LAYOUT
TOLERANCE: ±0.05



NOTES:

1. MATERIAL:
 1. See Table A.
2. FINISH:
 - 2.1 CONTACT:
 - 3u"Min. PLATED ON CONTACT AREA
 - G/F PLATING ON SOLDER TAIL AREA
 - 50~80u" NICKEL UNDERPLATING OVER ALL
 - 2.2 SHELL:
 - 80~120u" MATTER TIN PLATING ALL
 - 50~80u" NICKEL UNDERPLATING OVER ALL
3. SPECIFICATION:
 - 3.1 CURRENT RATING: 1.0A MAX
 - 3.2 VOLTAGE: 100 VAC
 - 3.3 TEMPERATURE RANGE: -30 °C ~ 85 °C
 - 3.4 CONTACT RESISTANCE: 30 MILLIONHM MAX
 - 3.5 DIELECTRIC WITHSTANDING VOLTAGE: 200 VAC r.m.s
 - 3.6 INSULATION RESISTNACE: 100 MEGOHMS MIN.

TABLE A:

项目	组成部件	用量	材质/处理
3	外壳	1PCS	STAINLESS STEEL MATTE TIN/Ni Plated
2	端子	5PCS	COPPER ALLOY Au/Ni Plated
1	塑胶主体	1PCS	LCP UL94V-0 BLACK

RoHS Compliant

TOLERANCES ARE

MORETHANALL
PCB CONNECTORS
Cable ASSEMBLIES

煜倫股份有限公司

www.morethanall.com

DRAWING BY CY

CHECKED BY GENIUS

UNIT / mm SCALE 1 : 1

DATE

SIZE A4

X. ± 0.30

.X ± 0.25

.XX ± 0.20

.XXX ± 0.10

ANG ± 5°

PJECTION

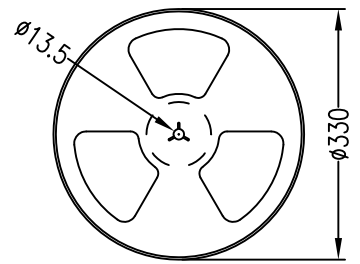
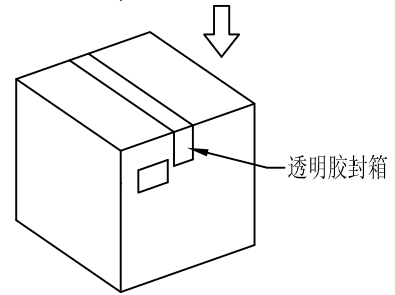
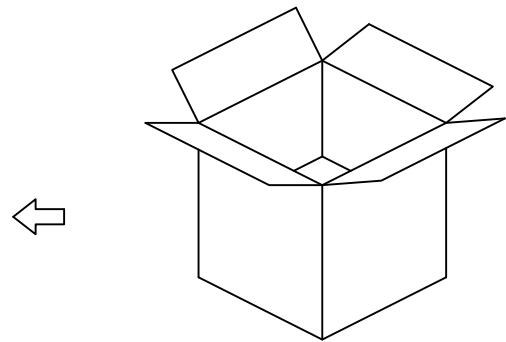
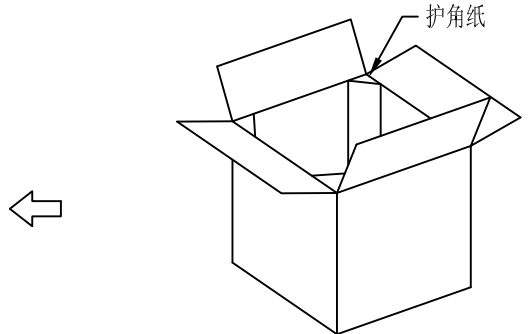
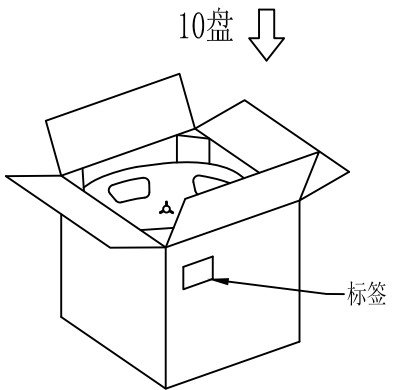
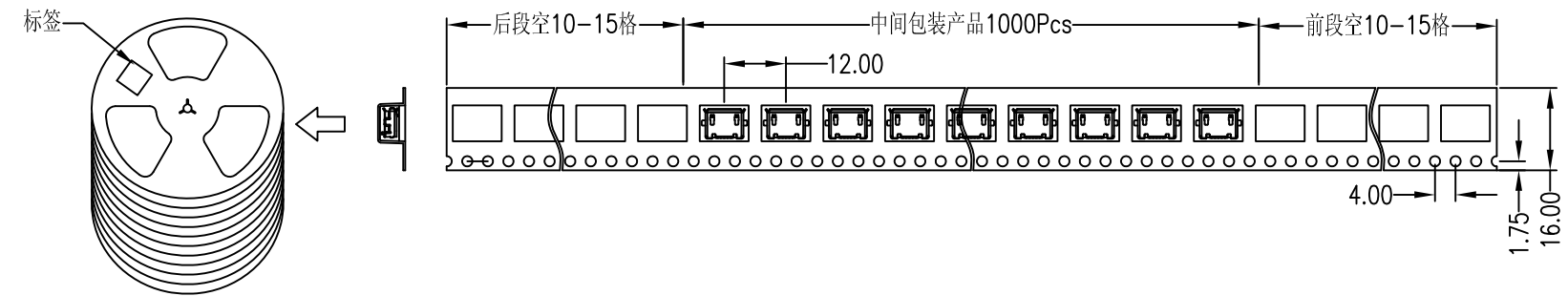
照片框

ORDER INFORMATION

MISB-SWEE5965R-5B-LF

SERIES | LEADFREE
5 PIN B TYPE
REEL
5.9+6.5mm
EAR
90°SMT
FEMALE

DESCRIPTION:



1. 每盘前后各空10-15个空格, 中间包装1000PCS.
2. 每箱包装10盘, 共包装10,000PCS.

10K/箱 纸箱规格:360*360*220mm

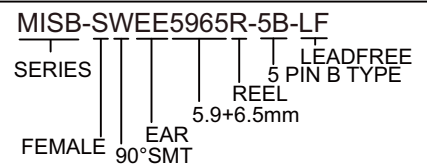
1K/盘

RoHS Compliant

TOLERANCES ARE

照片框

ORDER INFORMATION



MORETHANALL
PCB CONNECTORS
Cable ASSEMBLIES

煜倫股份有限公司

www.morethanall.com

DRAWING BY CY		X. ± 0.30
CHECKED BY GENIUS		.X ± 0.25
UNIT / mm	SCALE 1 : 1	.XX ± 0.20
DATE		.XXX ± 0.10
SIZE A4	PJECTION	ANG ± 5°

DESCRIPTION: