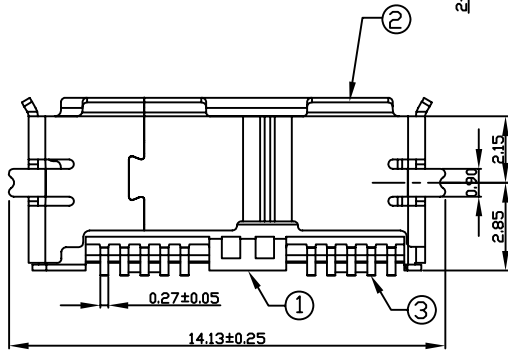
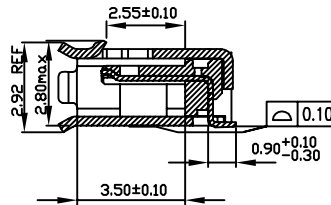
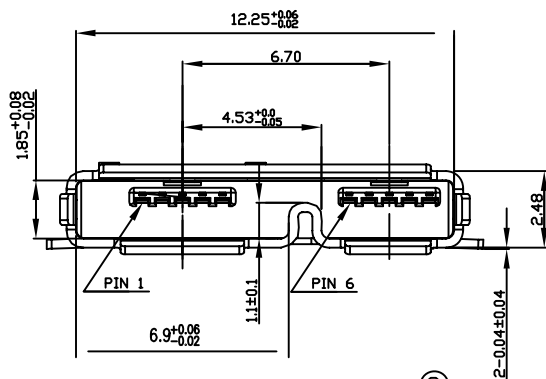


PCB Layout



Note:

1.Material:

- 1.1 Housing:LCP,UL94V-0.
- 1.2 Shell:STAINLESS STEEL.
- 1.3 Contact:BRASS.

2.FINISH:

- 2.1 CONTACT Plate with Gold Plated
- 2.2 shell:Nickel over all plating

3.Specification:

- 3.1 Dielectric withstanding voltage:100V(AC).
- 3.2 Contact resistance:30m ? Max
- 3.3 Insulation resistance:100M? Min

MISB-SW-10AB-LF

LEADFREE

RoHS Compliant

3	USB3.0 Micro B SMT 外壳	STELL	1
2	USB3.0 Micro B SMT 端子	BRASS	10
1	USB3.0 Micro B SMT 胶芯	LCP	1
序号	产品名称	材 质	数量

MORETHANALL
CONNECTORS
ASSEMBLIES

PART NO. MISB-SW-10AB

DWG NO. MISB-SW-10AB

FILE NO.

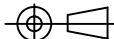
UNIT / mm

SCALE 1:1

CHECKED BY CY

DRAWING BY

PROJECTION



TOLERANCES ARE

.X ± 0.2
.XX ±
.XXX ±
AWG

DESCRIPTION: USB3.0 Micro AB SMT TYPE

AREA

REVISIONS

HK

DATE

煜倫股份有限公司