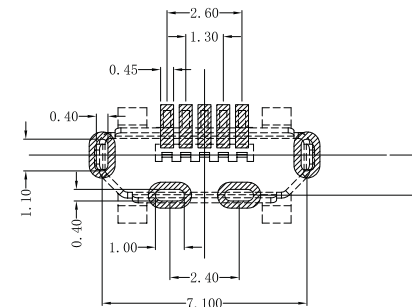
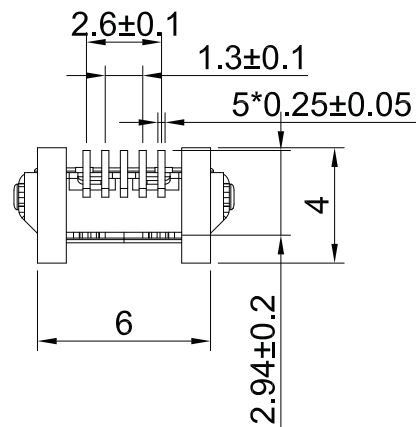
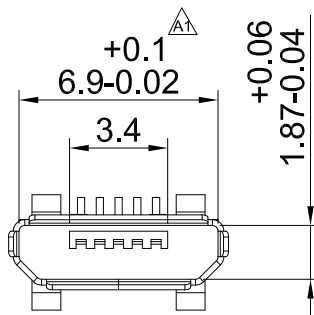
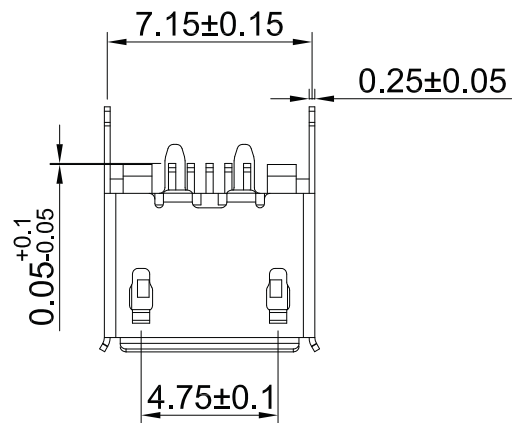
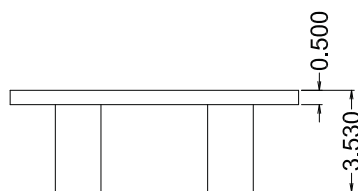
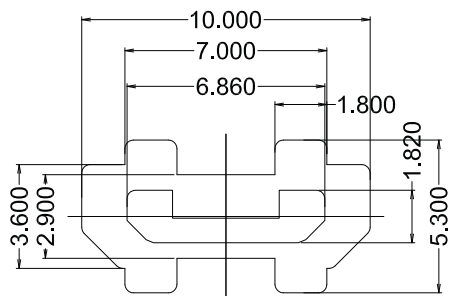


1. 规格:
- 1.1. 额定电流 1 A Max.
 - 1.2. 耐电压: 100 V(ac) for 1 min.
 - 1.3. 接触阻抗: 50 mΩ Max.
 - 1.4. 绝缘阻抗: 100 MΩMin.
 - 1.5. 插入力: 3.57 Kgf Max.
 - 1.6. 拔出力: 1.0 Kgf Min. 0.81~2.05 Kgf Min.
寿命测试: 10000cycles
 - 1.7. 运行温度范围: -30° C~+80° C
 - 1.8. 自粘性卷带包装.



RECOMMENDED PCB LAYOUT



RoHS Compliant

TOLERANCES ARE

MORETHANALL
PCB CONNECTORS
Cable ASSEMBLIES

DRAWING BY CY

X, ±

CHECKED BY GENIUS

.X ± 0.30

UNIT / mm

SCALE 1 : 1

.XX ± 0.20

DATE

.XXX ± 0.10

ANG ±

SIZE A4

PPOJECTION

照片框

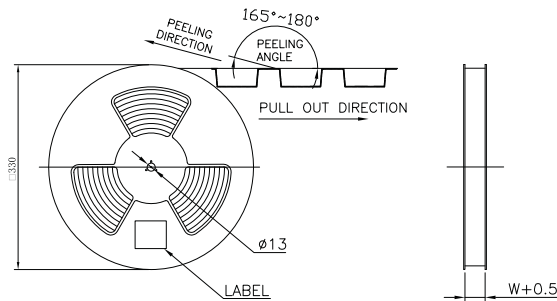
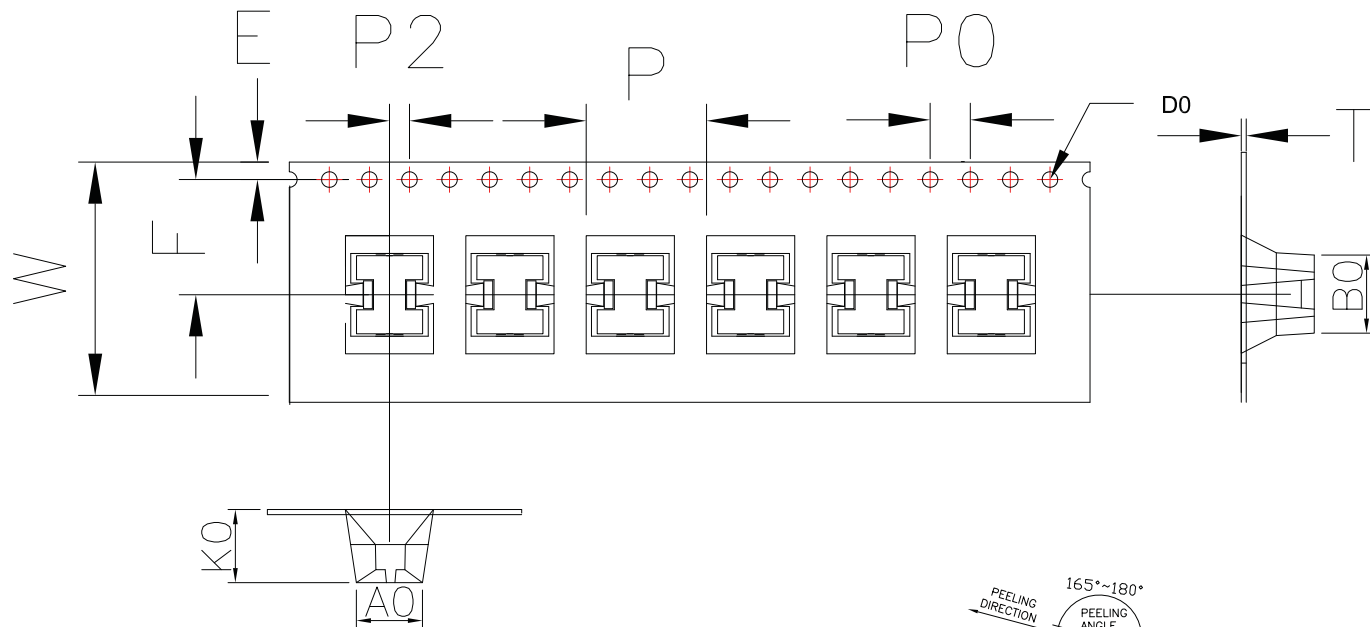
ORDER INFORMATION

MISB-SVMMCR-5B-LF
SERIES | | | | LEADFREE
5 PIN B TYPE
REEL
CAP
METAL FOOT
FEMALE | | | |
180°SMT

煜倫股份有限公司

www.morethanall.com

DESCRIPTION: Micro USB 5p Female SMT Vertical Type (捲邊)



W	24±0.3
F	11.50±0.1
T	0.4±0.05
E	1.75±0.1
P	12.00±0.1
P0	4±0.1
P2	2±0.1
A0	6.60±0.1
B0	7.8±0.1
K0	10.50±0.1
D0	1.50 ^{+0.1} ₋₀
S0	28.40±0.1

NOTES:

- 1.ALL DIMENSIONS MEET EIA-481-B REQUIREMENTS.
- 2.MATERIAL: PET
- 3.CARRIER CAMER NOT TO EXCEED 1mm IN 250mm.
- 4.A0 AND B0 MEASURED ON A PLANE 0.3mm ABOVE THE BOTTOM OF THE POCKET.
- 5.K0 MEASURED FROM A PLANE ON THE INSIDE BOTTOM OF THE POCKET TO THE TOP SURFACE OF THE CARRIER.
- 6.QUANTITY:500PCS/REEL,10REEL/BOX
- 7.THICKNESS:0.4± 0.05mm.
- 8.REEL:13"

RoHS Compliant

TOLERANCES ARE

MORETHANALL
PCB CONNECTORS
Cable ASSEMBLIES

DRAWING BY CY

X, ±
.X ± 0.30
.XX ± 0.20
.XXX ± 0.10
ANG ±

CHECKED BY GENIUS

UNIT / mm SCALE 1 : 1

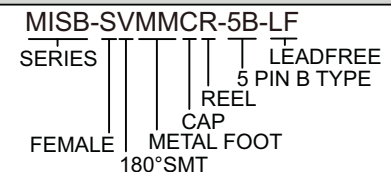
DATE

SIZE A4

PJECTION

照片框

ORDER INFORMATION



DESCRIPTION: Micro USB 5p Female SMT Vertical Typ (捲裝圖)

煜倫股份有限公司

www.morethanall.com