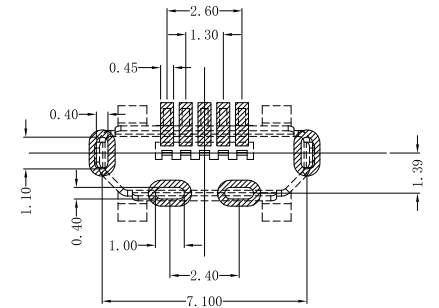
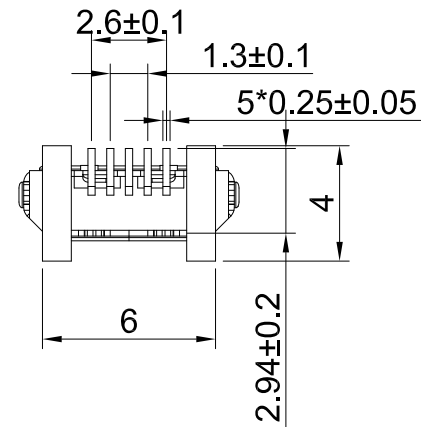
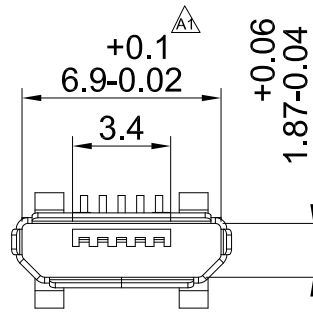
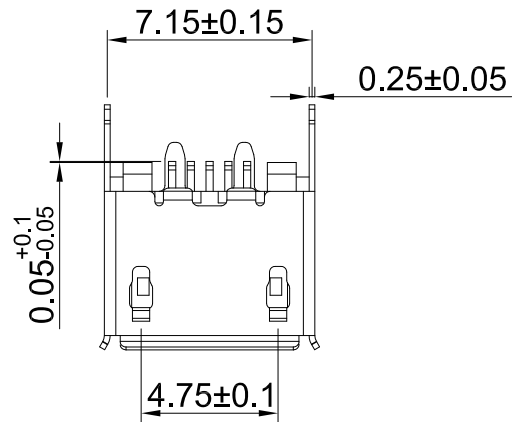
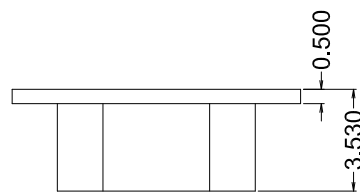
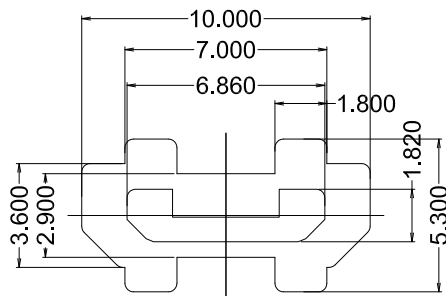


1. 规格:
- 1.1. 额定电流 1 A Max.
  - 1.2. 耐电压: 100 V(ac) for 1 min.
  - 1.3. 接触阻抗: 50 mΩ Max.
  - 1.4. 绝缘阻抗: 100 MΩMin.
  - 1.5. 插入力: 3.57 Kgf Max.
  - 1.6. 拔出力: 1.0 Kgf Min. 0.81~2.05 Kgf Min.  
寿命测试: 10000cycles
  - 1.7. 运行温度范围: -30° C~+80° C
  - 1.8. 自粘性卷带包装.



RECOMMENDED PCB LAYOUT



RoHS Compliant

TOLERANCES ARE

**MORETHANALL**  
PCB CONNECTORS  
Cable ASSEMBLIES

DRAWING BY CY

CHECKED BY GENIUS

UNIT / mm

SCALE 1 : 1

DATE

SIZE A4

X, ±  
.X ± 0.30  
.XX ± 0.20  
.XXX ± 0.10  
ANG ±

PJECTION

照片框

ORDER INFORMATION

MISB-SVMC-5B-LF  
SERIES | LEADFREE  
5 PIN B TYPE  
CAP  
METAL FOOT  
180°SMT  
FEMALE

煜倫股份有限公司

www.morethanall.com

DESCRIPTION: Micro USB 5p Female SMT Vertical Type (捲邊)