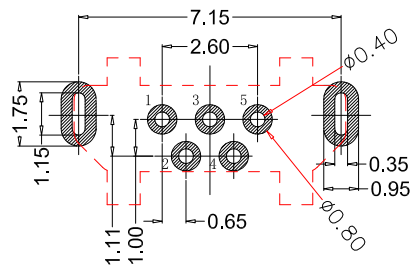
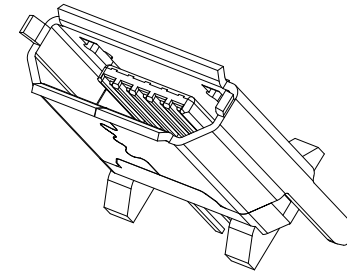
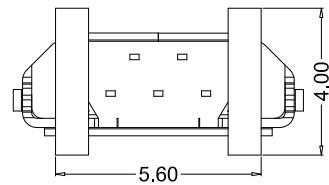
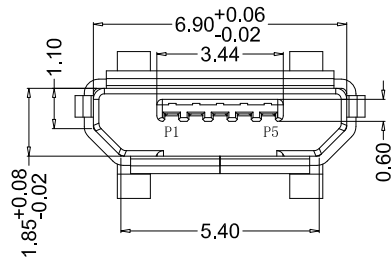


SPECIFICATIONS

1. Electrical :
 - 1.1 Current Rating: 1.5Ampere Maximum for Pin1 & Pin5
0.5Ampere Maximum for Pin2 & Pin3 & Pin4
 - 1.2 Voltage Rating: 30V
 - 1.3 Contact resistance : 30mΩ max.
 - 1.4 Dielectric withstanding voltage : 100 V AC.
 - 1.5 Insulation resistance : 100mΩ min.
2. Mechanical :
 - 2.1 Mate and unmate force : Mate force : 35N MAX
Unmate force : 10N MIN
3. Environment :
 - Operating Temperature : -25°C to +80°C
4. Material :
 - Housing : Thermoplastic high temp.UL94V-O
 - Terminal : Copper Alloy.
 - Shell : Stainless Steel.
5. Plating Layer :
 - Contact : Plated Gold in Mating Area ; Gold Plated on Solder Balls ;
 - Nickel under plated overall
 - Shell : Tin under Plated surface layer



RoHS Compliant

TOLERANCES ARE

MORETHANALL
PCB CONNECTORS
Cable ASSEMBLIES

DRAWING BY CY

X, ±
.X ± 0.30
.XX ± 0.20
.XXX ± 0.10
ANG ±

CHECKED BY GENIUS

UNIT / mm SCALE 1 : 1

DATE

SIZE A4

PPOJECTION

照片框

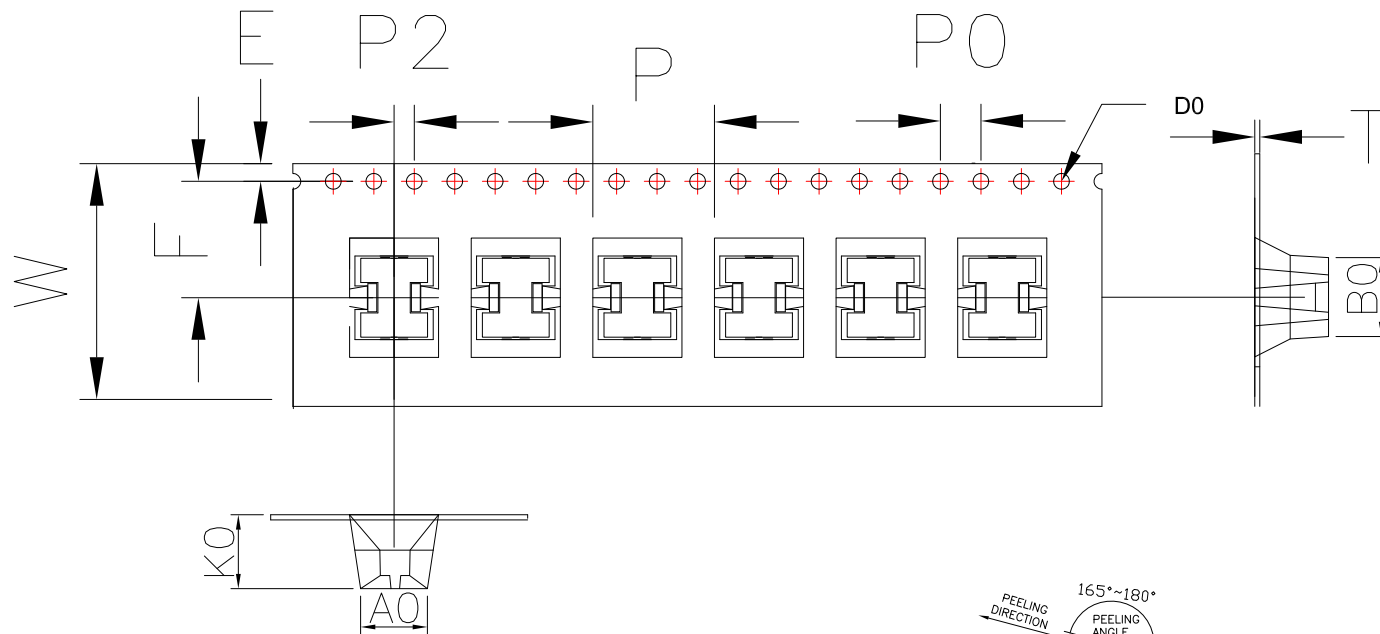
ORDER INFORMATION

MISB-SDM2BR-5B-LF
SERIES | | | | LEADFREE
5 PIN B TYPE
REEL
B LAYOUT
METAL FOOT
DIP 180°

DESCRIPTION: Micro USB 5p Female DIP Vertical Type

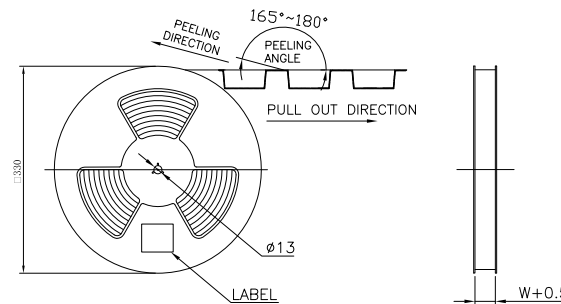
煜倫股份有限公司

www.morethanall.com



NOTES:

1. ALL DIMENSIONS MEET EIA-481-B REQUIREMENTS.
2. MATERIAL: PET
3. CARRIER CAMER NOT TO EXCEED 1mm IN 250mm.
4. AO AND BO MEASURED ON A PLANE 0.3mm ABOVE THE BOTTOM OF THE POCKET.
5. KO MEASURED FROM A PLANE ON THE INSIDE BOTTOM OF THE POCKET TO THE TOP SURFACE OF THE CARRIER.
6. QUANTITY: 500PCS/REEL, 10REEL/BOX
7. THICKNESS: 0.4 ± 0.05 mm.
8. REEL: 13"



W	24 ± 0.3
F	11.50 ± 0.1
T	0.4 ± 0.05
E	1.75 ± 0.1
P	12.00 ± 0.1
P0	4 ± 0.1
P2	2 ± 0.1
A0	6.60 ± 0.1
B0	7.8 ± 0.1
K0	10.50 ± 0.1
D0	$1.50^{+0.1}_{-0}$
S0	28.40 ± 0.1

RoHS Compliant

TOLERANCES ARE

MORETHANALL
PCB CONNECTORS
Cable ASSEMBLIES
煜倫股份有限公司

DRAWING BY CY

CHECKED BY GENIUS

UNIT / mm

SCALE 1 : 1

DATE

SIZE A4

X, \pm
.X \pm 0.30
.XX \pm 0.20
.XXX \pm 0.10
ANG \pm

PJECTION

照片框

ORDER INFORMATION

MISB-SDM2BR-5B-LF
SERIES | | | | LEADFREE
5 PIN B TYPE
REEL
B LAYOUT
METAL FOOT
DIP 180°

DESCRIPTION: Micro USB 5p Female DIP Vertical Type (捲裝圖)

www.morethanall.com